

CFZ527-SS: Solid Door Freezer, Reach-In

CFZ527-SG: Glass Door Freezer, Reach-In



CFZ527-SS



CFZ527-SG

Features and Specifications

- Volume of 23 cu ft
- AISI 304 Stainless steel interior and exterior with lock
- Temperature range: -13°F to 14°F
- Electronic digital temperature control with alarms
- Autodefrost
- High efficiency top-mounted compressor with 6.2 running amps
- High efficiency evaporator coil & condenser
- Self-lubricating, sealed cast iron evaporator fan motor with high volume air flow design
- Removable magnetic gasket for easy cleaning
- CFC-free high-density polyurethane insulated cabinet
- Factory pre-wired for dedicated outlet, 11 ft. cord and plug included NEMA 5-15P
- Environmentally friendly R290 refrigerant - 3.9 oz (0.110 kg)
- 1 section, includes 3 epoxy coated wire shelves
- Dimensions: 82 9/32" H x 26 57/64" W x 31 1/2" D
- LED lighting
- 4 Adjustable stainless steel legs

Model Details

Model	Description	Voltage/Hz	Shipping Weight
UCFZ527-SS31A	Freezer Solid Door, Reach-In, Field Reversible Hinge	115v / 60hz	297 lb
UCFZ527-SG31A	Freezer Glass Door, Reach-In, Field Reversible Hinge	115v / 60hz	353 lb

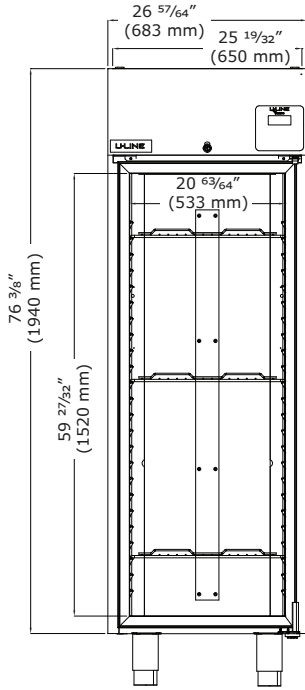
Accessories

Model	Description	Shipping Weight
ULAQ32-0002	Epoxy Coated Wire Shelf (20.86" x 25.6")	2.2 lb
ULA89010340	Caster Kit (4 casters, 2 with brakes)	11.02 lb

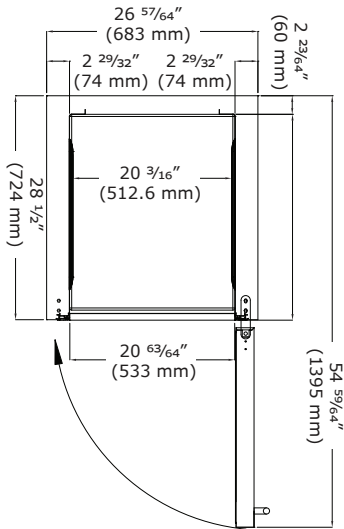


Product Specifications • 23 cu ft Freezers, Reach-In

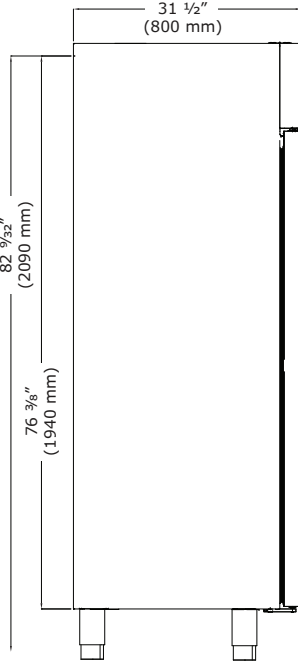
Front (Open)



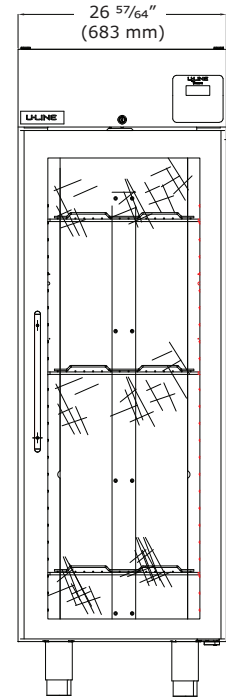
Top



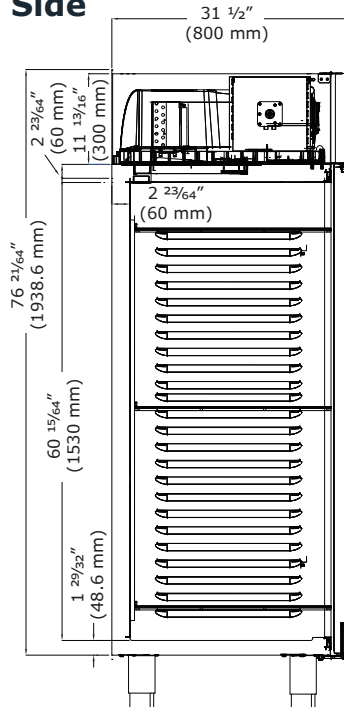
Side



Front (Closed - Glass Door)



Side



Commercial Warranty

1 Year (parts & labor) / 5 year sealed system (parts)
See complete warranty for details

