

CFZ552: 2 Door Undercounter Freezer
 CFZ570: 3 Door Undercounter Freezer
 CFZ588: 4 Door Undercounter Freezer



CFZ552



CFZ570



CFZ588

Features and Specifications

CFZ552: volume of 9.88 cu ft, 2 epoxy coated shelves

CFZ570: volume of 15.57 cu ft, 3 epoxy coated shelves

CFZ588: volume of 21.2 cu ft, 4 epoxy coated shelves

Max weight per shelf: 66 lb

AISI 304 stainless steel interior and exterior

Temperature range: -13°F to 14°F

Electronic Control

Autodefrost

Epoxy coated, sealed evaporator eliminates potential corrosion

CFC-free high density polyurethane insulated cabinet

Factory pre-wired for dedicated outlet, 11 ft cord and plug included NEMA 5-15P

CFZ552 dimensions: 33" H x 57 15/32" W x 27 9/16" D

CFZ570 dimensions: 33" H x 76 37/64" W x 27 9/16" D

CFZ588 dimensions: 33" H x 95 43/64" W x 27 9/16" D

Environmentally friendly R449a refrigerant	CFZ552: 8.1 oz (0.230 kg)	CFZ570: 14.1 oz (0.400 kg)	CFZ588: 14.1 oz (0.400 kg)
--	---------------------------	----------------------------	----------------------------

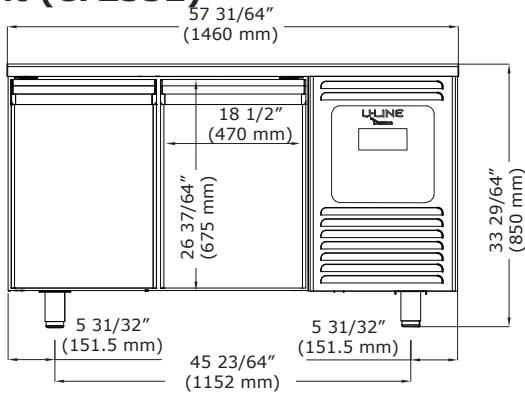
Model Details

Model	Description	Voltage/Hz/Phase/Amps	Shipping Weight
UCFZ552-SS61A	2 Door Undercounter Freezer	115 / 60 / 1 / 5	353 lb
UCFZ570-SS61A	3 Door Undercounter Freezer	115 / 60 / 1 / 5	507 lb
UCFZ588-SS61A	4 Door Undercounter Freezer	115 / 60 / 1 / 5	551 lb

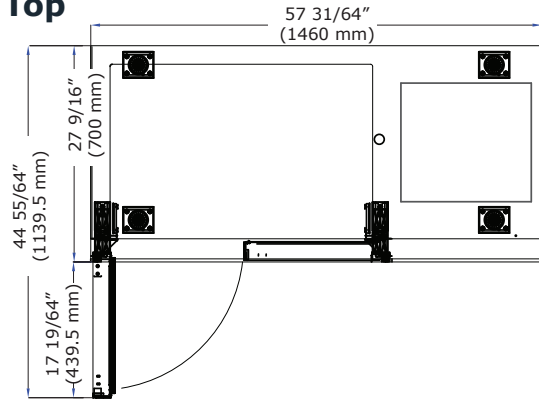


Product Specifications • Undercounter Freezers

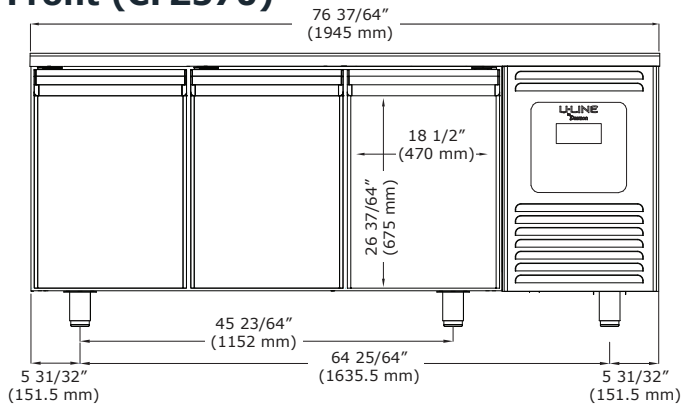
Front (CFZ552)



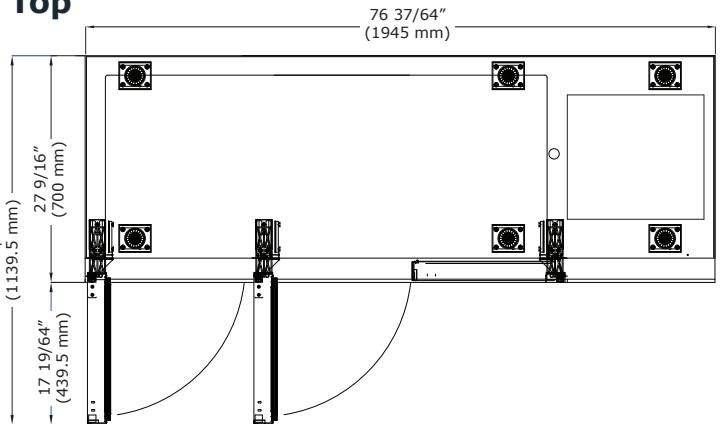
Top



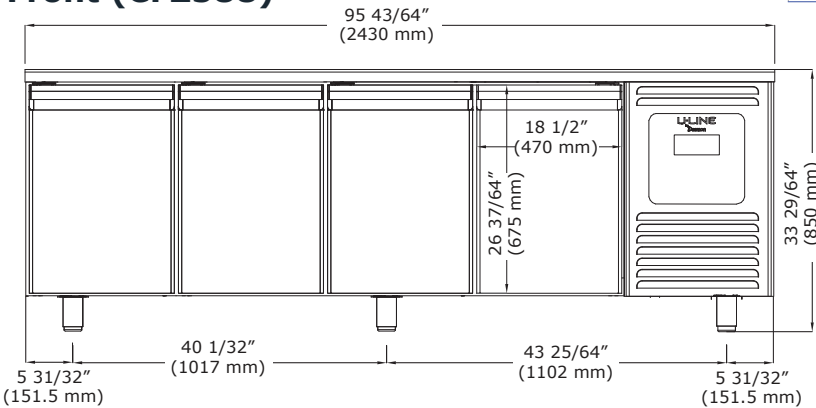
Front (CFZ570)



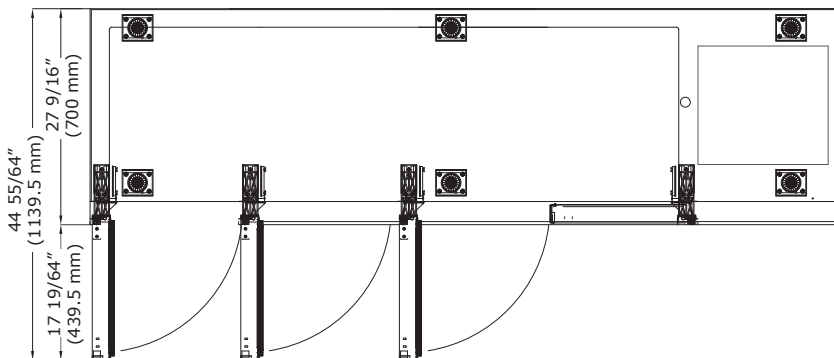
Top



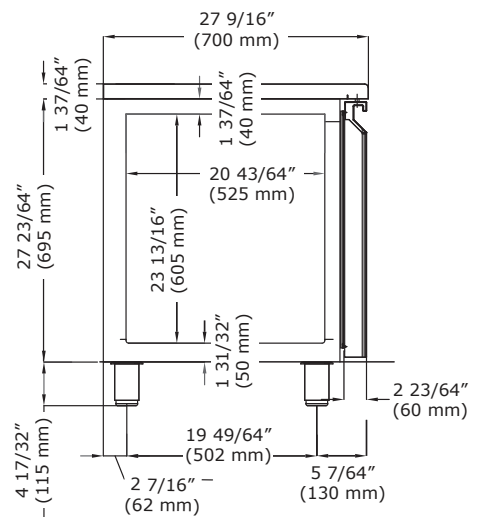
Front (CFZ588)



Top



Side (all models)



Commercial Warranty

1 Year (parts & labor) /
5 year sealed system (parts)
See complete warranty for details

