

Prep Top Glass Coolers

CGAC166: 66" Prep Top Glass Cooler

CGAC223: 88" Prep Top Glass Cooler



CGAC166



CGAC223

Features and Specifications

CGAC166 storage capacity: 7 GN 1/3 pans (not included)		
CGAC223 storage capacity: 10 GN 1/3 pans (not included)		
Stainless Steel and Glass Construction		
Temperature range: 28°F to 46°F		
Electronic Control		
Factory pre-wired for dedicated outlet, 11 ft cord and plug included NEMA 5-15P		
Environmentally friendly R134a refrigerant	CGAC166: 7.0 oz (0.200 kg)	CGAC223: 8.8 oz (0.250 kg)

Model Details

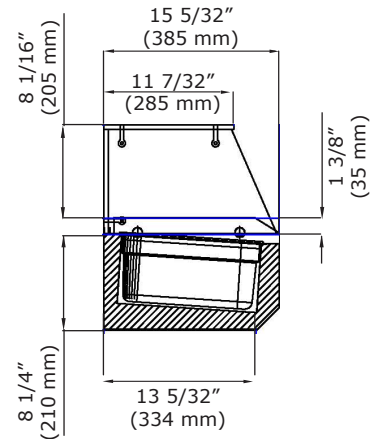
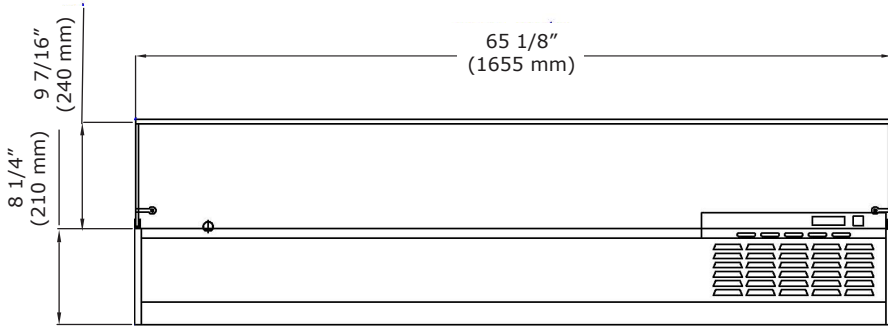
Model	Description	Voltage/Hz/Phase/Amps	Shipping Weight
UCGAC166	66" Prep Top Glass Cooler	115 / 60 / 1 / 1.5	137 lb
UCGAC223	88" Prep Top Glass Cooler	115 / 60 / 1 / 1.5	165 lb

Accessories

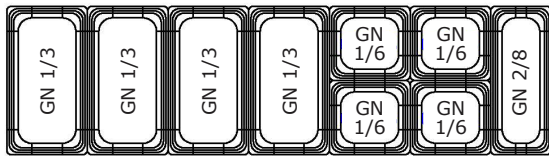
Model	Description	Shipping Weight
ULAGN-1315-T	Stainless GN 1/3 Pan (6.93" x 12.79" x 5.9")	1.67 lb
ULAGNC-13	Stainless GN 1/3 Pan Top (6.93" x 12.79")	.77 lb
ULAGN-2815	Stainless GN 2/8 Pan (5.19" x 12.79" x 5.9")	1.3 lb
ULAGNC-28	Stainless GN 2/8 Pan top (5.19" x 12.79")	.77 lb
ULAGN-1615	Stainless GN 1/6 Pan (6.93" x 6.38" x 5.9")	.88 lb
ULAGNC-16	Stainless GN 1/6 Pan top (6.93" x 6.38")	.77 lb



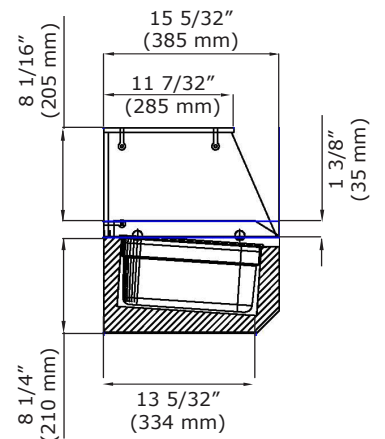
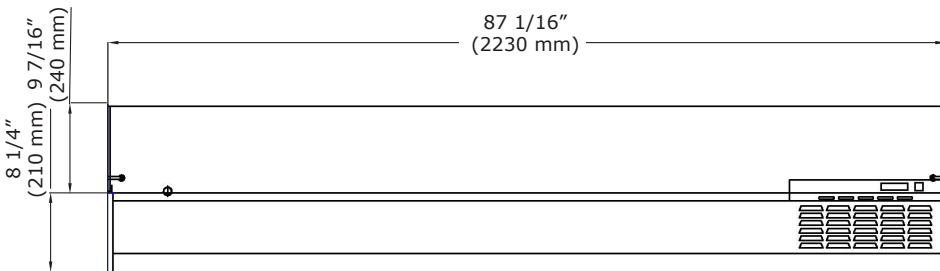
UCGAC166



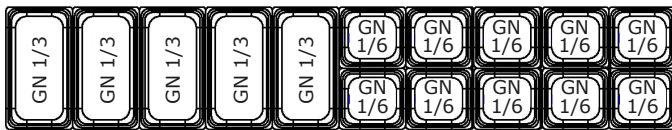
For reference only - pans not included



UCGAC223



For reference only - pans not included



Commercial Warranty

1 Year (parts & labor) / 5 year sealed system (parts)
See complete warranty for details

