

Refrigerated Pizza Prep Table

CPP566: 65" 2 Door Refrigerated Pizza Prep Table + Condiment Rail

CPP588: 88" 3 Door Refrigerated Pizza Prep Table + Condiment Rail



CPP566



CPP588

Features and Specifications

CPP566: volume of 14 cu ft	CPP588: volume of 21.89 cu ft
Pans not included	
AISI 304 stainless steel interior and exterior with granite worktop and refrigerated condiment rail, ETL sanitation certified	
Temperature range: 28°F to 46°F	
Electronic digital temperature control with alarms	
Autodefrost	
High efficiency compressor, side mount, with 6.5 running amps	
High efficiency evaporator coil & condenser	
Self-lubricating, sealed cast iron evaporator fan motor with high volume airflow design	
Interior rounded corners for easy cleaning	
CFC-free high-density polyurethane insulated cabinet	
Factory pre-wired for dedicated outlet, 11 ft cord and plug included NEMA 5-15P	
Environmentally friendly R449a/R134a (top) refrigerant	CPP566: 10.6 oz (0.280 kg) / 7.0 oz (0.200 kg) CPP588: 17.5 oz (0.500 kg) / 8.8 oz (0.250 kg)
CPP566 includes 4 epoxy coated wire shelves	CPP588 includes 6 epoxy coated wire shelves
CPP566 dimensions: 63 15/16" H x 65 1/8" W x 31 1/8" D	CPP588 dimensions: 63 15/16" H x 88 11/32" W x 31 1/8" D

Model Details

Model	Description	Voltage/Hz/Phase	Shipping Weight
UCPP566-SS61A	65" 2 Door Refrigerated Pizza Prep Table + Condiment Rail	115v / 60hz / 1	772 lb
UCPP588-SS61A	88" 3 Door Refrigerated Pizza Prep Table + Condiment Rail	115v / 60hz / 1	992 lb

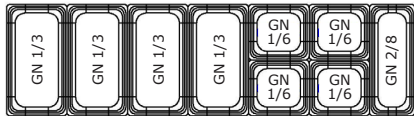
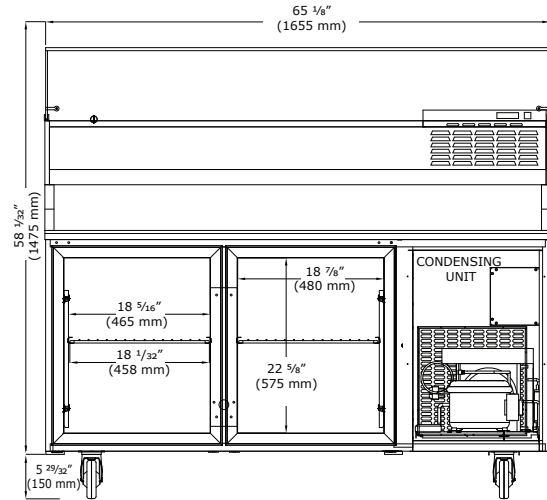
Accessories

Model	Description	Shipping Weight
ULA4082514	Shelf Guide	.88 lb
ULAQ32-4666-ETL	Epoxy Coated Wire Shelf	2.2 lb
ULAGN-1315-T	Stainless GN 1/3 Pan (6.93" x 12.79" x 5.9")	1.67 lb
ULAGNC-13	Stainless GN 1/3 Pan Top (6.93" x 12.79")	.77 lb
ULAGN-2815	Stainless GN 2/8 Pan (UCPP566 Only) (5.19" x 12.79" x 5.9")	1.3 lb
ULAGNC-28	Stainless GN 2/8 Pan top (UCPP566 Only) (5.19" x 12.79")	.77 lb
ULAGN-1615	Stainless GN 1/6 Pan (UCPP566 Only) (6.93" x 6.38" x 5.9")	.88 lb
ULAGNC-16	Stainless GN 1/6 Pan top (UCPP566 Only) (6.93" x 6.38")	.77 lb



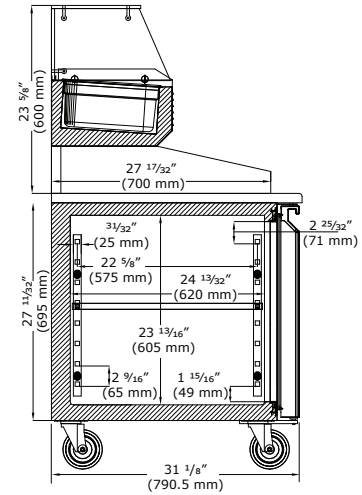
Product Specifications • Refrigerated Pizza Prep Table

Front (2 Door with Condiment Rail)

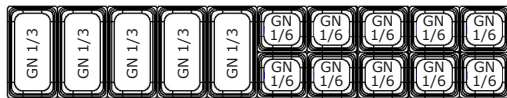
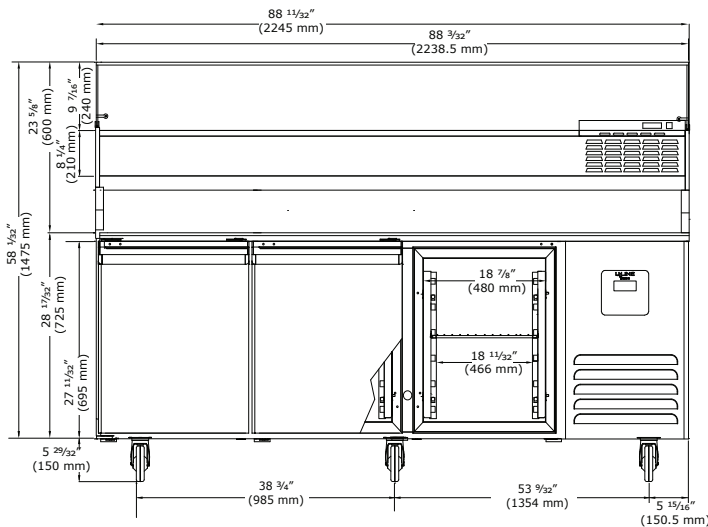


CPP566 condiment rail (for reference only - pans not included)

Side

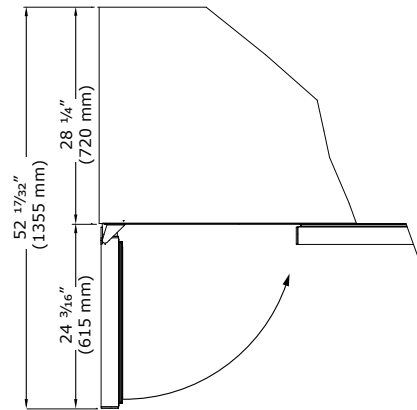


Front (3 Door with Condiment Rail)



CPP588 condiment rail (for reference only - pans not included)

Top



Commercial Warranty

1 Year (parts & labor) / 5 year sealed system (parts)
See complete warranty for details

