

18" Refrigerators / Wine Refrigerators

CRE518: 18" Refrigerator

CWC518: 18" Wine Refrigerator



CRE518-SG



CRE518-SS



CWC518-SG



CWC518-SS

Project:	Notes:
----------	--------

Features and Specifications			
Convection cooling system provides a quick cool down and consistent temperature			
U-Adjust™ Interior: 19 possible positions			
Refrigerator models include 2 slide-out metal shelves			
Wine Refrigerator models include 5 slide-out wine racks			
Stainless steel cabinet, grille, and full-wrap door with lock			
Full-depth lower interior with a volume of 3.7 cu ft			
Dimensions: 33 1 ¹ / ₁₆ " H x 17 3 ³ / ₄ " W x 22 1 ⁵ / ₁₆ " D			
Designed for built-in or freestanding applications			
Temperature range: 34°F - 70°F			
High efficiency variable speed compressor with 1.2 running amps			
Environmentally friendly R600a refrigerant (amounts below)			
UCRE518-SG: 1.23 oz	UCRE518-SS: 1.34 oz	UCWC518-SG: 1.23 oz	UCWC518-SS: 1.34 oz

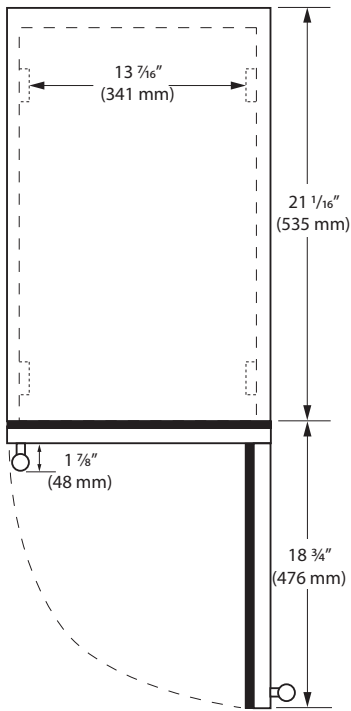
Model Details			
Model	Description	Voltage/Hz	Shipping Weight
UCRE518-SG33A	Refrigerator 18" Reversible Hinge Stainless Glass	115v / 60hz	131 lb
UCRE518-SS33A	Refrigerator 18" Reversible Hinge Stainless Solid	115v / 60hz	118 lb
UCWC518-SG33A	Wine Refrigerator 18" Reversible Hinge Stainless Glass	115v / 60hz	134 lb
UCWC518-SS33A	Wine Refrigerator 18" Reversible Hinge Stainless Solid	115v / 60hz	121 lb

Accessories		
Model	Description	Shipping Weight
ULACASTERKIT18	18" caster kit - for UCWC & UCRE	13 lb
ULAWINERACK18	Slide-out wine rack	8 lb
ULABIN18	Slide-out bin	9 lb
ULASHELF18	Slide-out metal shelf	4 lb

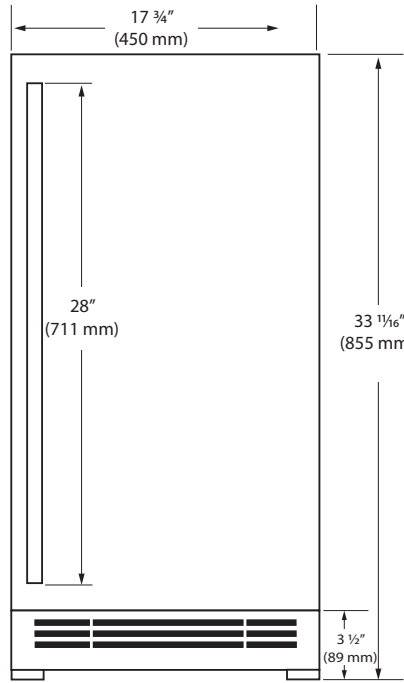


Product Specifications • 18" Refrigerators / Wine Refrigerators

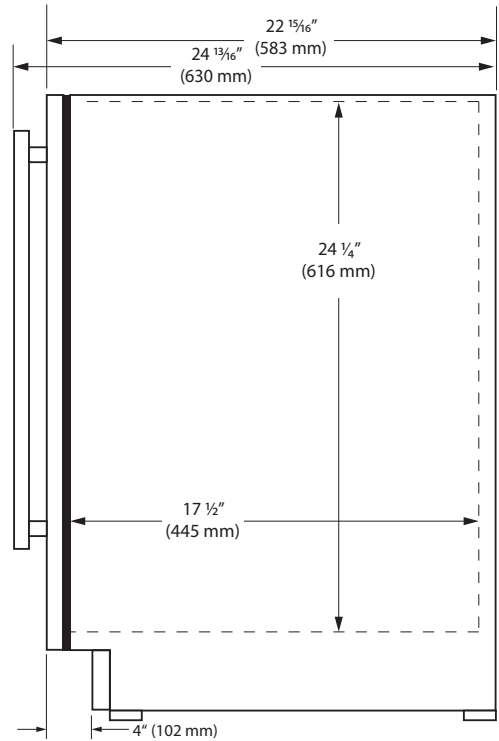
Top



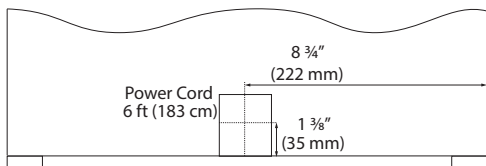
Front



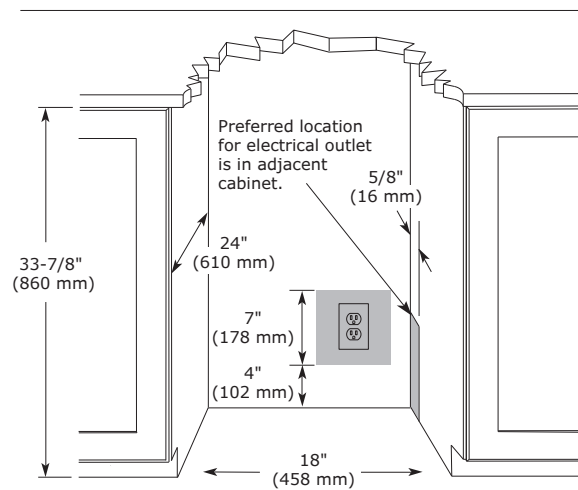
Side



Back



Cabinet Cut-Out



Commercial Warranty

1 Year (parts & labor) / 5 year sealed system (parts)
See complete warranty for details

Installation Notes

- Power cord extends 2" beyond total depth
- No additional clearance is needed for ventilation
- Do not obstruct front grille air flow