

24" Refrigerators / Wine Refrigerators

CRE524: 24" Refrigerator

CWC524: 24" Wine Refrigerator



CRE524-SG



CRE524-SS



CWC524-SG



CWC524-SS

Project:	Notes:
----------	--------

Features and Specifications			
Convection cooling system provides a quick cool down and consistent temperature			
U-Adjust™ Interior: 19 possible positions			
Refrigerator models include 2 slide-out metal shelves			
Wine Refrigerator models include 5 slide-out wine racks			
Stainless steel cabinet, grille, and full-wrap door with lock			
Full-depth lower interior with a volume of 5.2 cu ft			
Dimensions: 33 1 ¹ / ₁₆ " H x 23 5 ⁸ / ₈ " W x 22 1 ⁵ / ₁₆ " D			
Designed for built-in or freestanding applications			
Temperature range: 34°F - 70°F			
High efficiency variable speed compressor with 1.2 running amps			
Environmentally friendly R600a refrigerant (amounts below)			
UCRE524-SG: 1.34 oz	UCRE524-SS: 1.06 oz	UCWC524-SG: 1.34 oz	UCWC524-SS: 1.59 oz

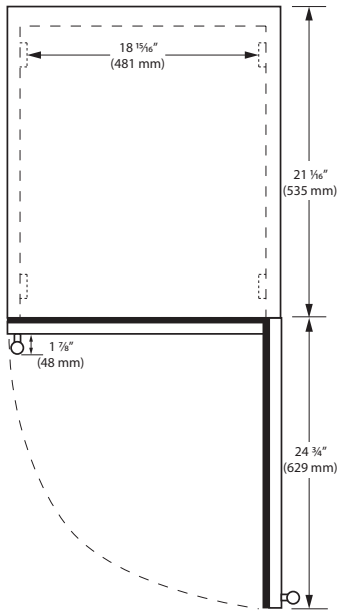
Model Details			
Model	Description	Voltage/Hz	Shipping Weight
UCRE524-SG33A	Refrigerator 24" Reversible Hinge Stainless Glass	115v / 60hz	165 lb
UCRE524-SS33A	Refrigerator 24" Reversible Hinge Stainless Solid	115v / 60hz	150 lb
UCWC524-SG33A	Wine Refrigerator 24" Reversible Hinge Stainless Glass	115v / 60hz	168 lb
UCWC524-SS33A	Wine Refrigerator 24" Reversible Hinge Stainless Solid	115v / 60hz	153 lb

Accessories		
Model	Description	Shipping Weight
ULACASTERKIT24	24" caster kit - for UCWC & UCRE	13 lb
ULAWINERACK24	Slide-out wine rack	8 lb
ULABIN24	Slide-out bin	9 lb
ULASHELF24	Slide-out metal shelf	4 lb

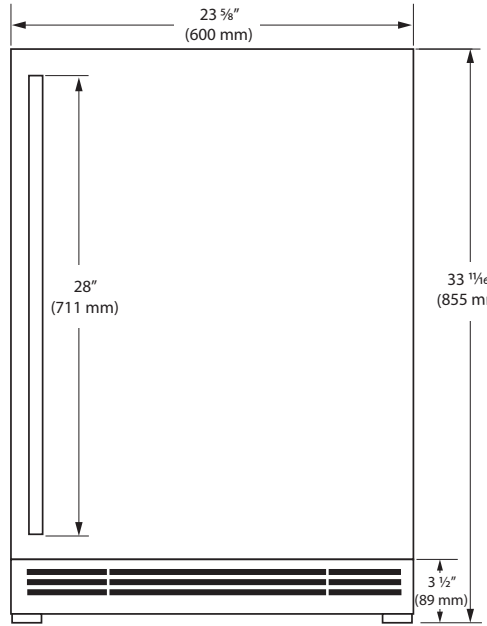


Product Specifications • 24" Refrigerators / Wine Refrigerators

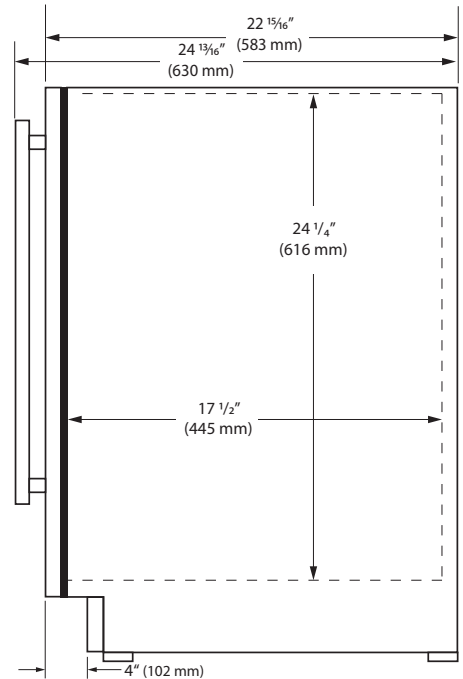
Top



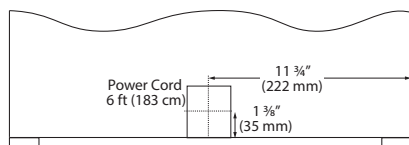
Front



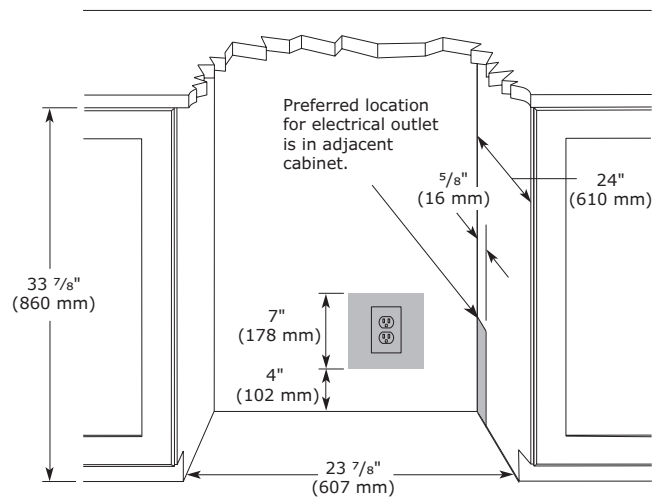
Side



Back



Cabinet Cut-Out



Commercial Warranty

1 Year (parts & labor) / 5 year sealed system (parts)
See complete warranty for details

Installation Notes

- Power cord extends 2" beyond total depth
- No additional clearance is needed for ventilation
- Do not obstruct front grille air flow