

**23 cu ft Refrigerators, Reach-In**

CRE527-SS: Solid Door Refrigerator, Reach-In

CRE527-SG: Glass Door Refrigerator, Reach-In



CRE527-SS



CRE527-SG

**Features and Specifications**

Volume of 23 cu ft
AISI 304 stainless steel interior and exterior with lock
Temperature range: 28°F to 46°F
Electronic digital temperature control with alarms
Autodefrost
High efficiency compressor, top mount, with 3.2 running amps
High efficiency evaporator coil & condenser
Epoxy coated, sealed evaporator eliminates potential of corrosion
CFC-free high density polyurethane insulated cabinet
Factory pre-wired for dedicated outlet, 11 ft cord and plug included NEMA 5-15P
Environmentally friendly R290 refrigerant - 3.2 oz (0.090kg)
Includes 3 epoxy coated wire shelves
Dimensions: 82 9/32" H x 26 57/64" W x 31 1/2" D
LED lighting
4 adjustable stainless steel legs

**Model Details**

Model	Description	Voltage/Hz	Shipping Weight
UCRE527-SS31A	23 cu ft Refrigerator Solid Door, Reach-In, Field Reversible Hinge	115v / 60hz	287 lb
UCRE527-SG41A	23 cu ft Refrigerator Glass Door, Reach-In, Right Hand Hinge	115v / 60hz	327 lb

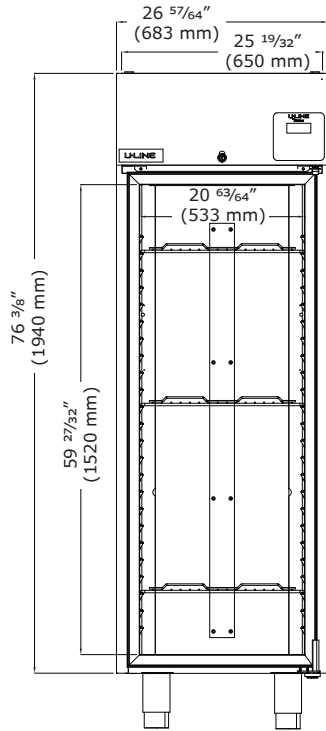
**Accessories**

Model	Description	Shipping Weight
ULAQ32-0002	Epoxy Coated Wire Shelf (20.86" x 25.6")	2.2 lb
ULA89010340	Caster Kit	13.22 lb

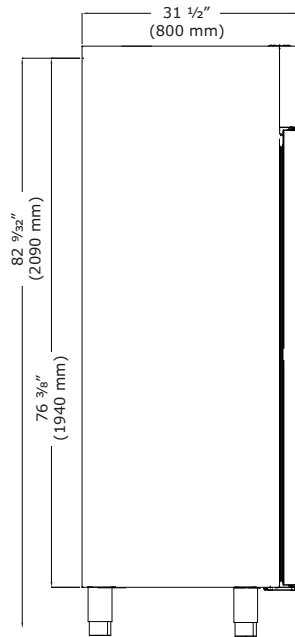


# Product Specifications • 23 cu ft Refrigerators, Reach-In

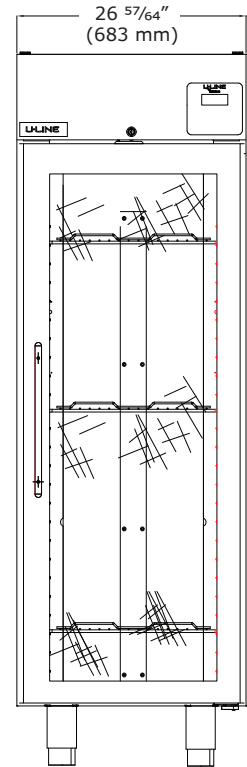
### Front (Open)



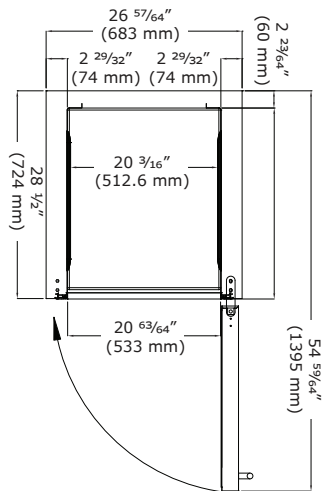
### Side



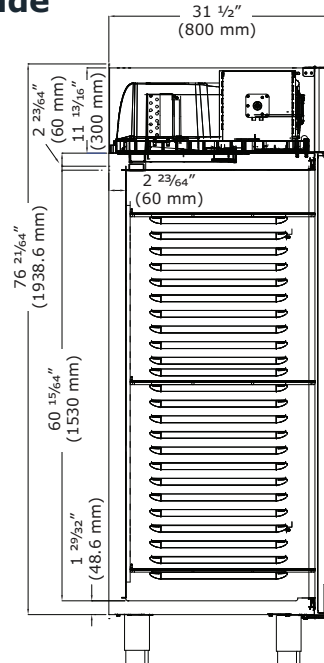
### Front (Closed - Glass Door)



### Top



### Side



## Commercial Warranty

1 Year (parts & labor) / 5 year sealed system (parts)  
See complete warranty for details

