

### 18" Refrigerators / Wine Refrigerators

CRE518: 18" Refrigerator

CWC518: 18" Wine Refrigerator



CRE518-SG



CRE518-SS



CWC518-SG



CWC518-SS

|          |        |
|----------|--------|
| Project: | Notes: |
|----------|--------|

| Features and Specifications   |                     |                     |                     |
|---|---------------------|---------------------|---------------------|
| Convection cooling system provides a quick cool down and consistent temperature |                     |                     |                     |
| U-Adjust™ Interior: 19 possible positions                                       |                     |                     |                     |
| Refrigerator models include 2 slide-out metal shelves                           |                     |                     |                     |
| Wine Refrigerator models include 5 slide-out wine racks                         |                     |                     |                     |
| Stainless steel cabinet, grille, and full-wrap door with lock                   |                     |                     |                     |
| Full-depth lower interior with a volume of 3.7 cu ft                            |                     |                     |                     |
| Dimensions: 33 15/16" H x 17 3/4" W x 22 15/16" D                               |                     |                     |                     |
| Designed for built-in or freestanding applications                              |                     |                     |                     |
| Temperature range: 34°F - 70°F  |                     |                     |                     |
| High efficiency variable speed compressor with 1.2 running amps                 |                     |                     |                     |
| Environmentally friendly R600a refrigerant (amounts below)                      |                     |                     |                     |
| UCRE518-SG: 1.23 oz   | UCRE518-SS: 1.34 oz | UCWC518-SG: 1.23 oz | UCWC518-SS: 1.34 oz |

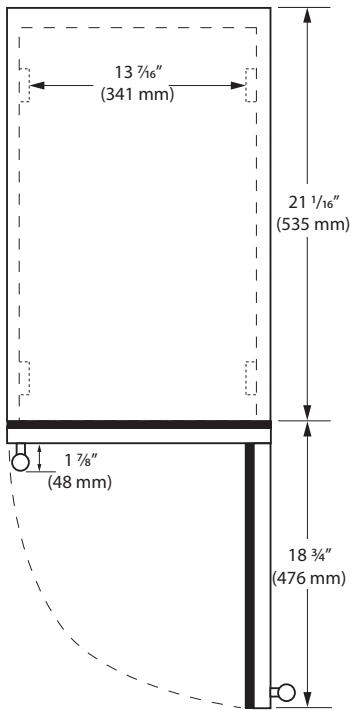
| Model Details |  |             |                 |
|---------------|--|-------------|-----------------|
| Model         | Description  | Voltage/Hz  | Shipping Weight |
| UCRE518-SG33A | Refrigerator 18" Reversible Hinge Stainless Glass      | 115v / 60hz | 131 lb          |
| UCRE518-SS33A | Refrigerator 18" Reversible Hinge Stainless Solid      | 115v / 60hz | 118 lb          |
| UCWC518-SG33A | Wine Refrigerator 18" Reversible Hinge Stainless Glass | 115v / 60hz | 134 lb          |
| UCWC518-SS33A | Wine Refrigerator 18" Reversible Hinge Stainless Solid | 115v / 60hz | 121 lb          |

| Accessories    |                                  |                 |
|----------------|----------------------------------|-----------------|
| Model          | Description                      | Shipping Weight |
| ULACASTERKIT18 | 18" caster kit - for UCWC & UCRE | 13 lb           |
| ULAWINERACK18  | Slide-out wine rack              | 8 lb            |
| ULABIN18       | Slide-out bin                    | 9 lb            |
| ULASHELF18     | Slide-out metal shelf            | 4 lb            |

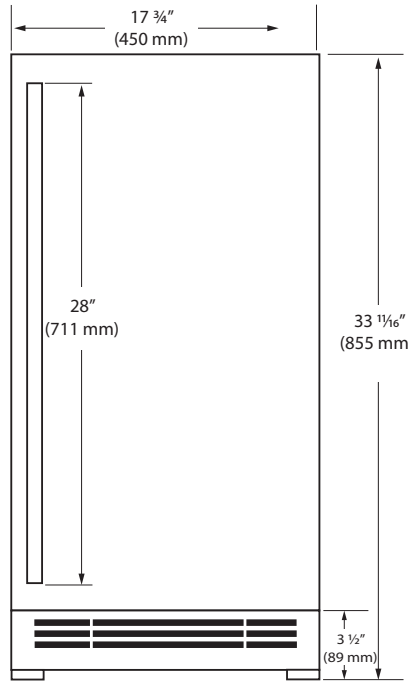


# Product Specifications • 18" Refrigerators / Wine Refrigerators

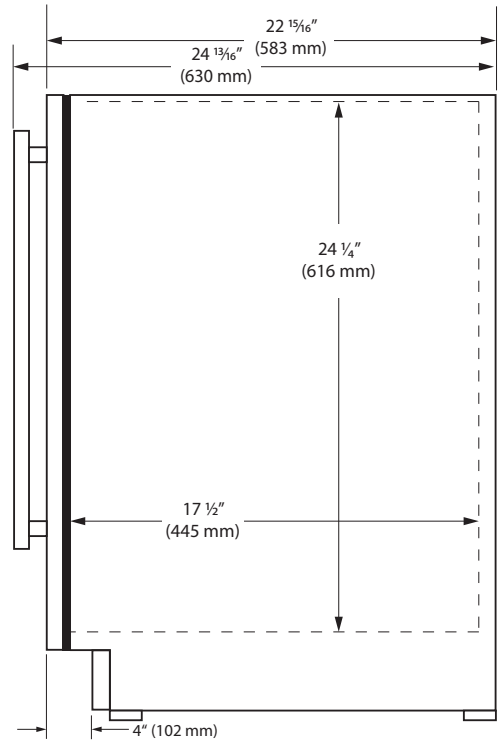
## Top



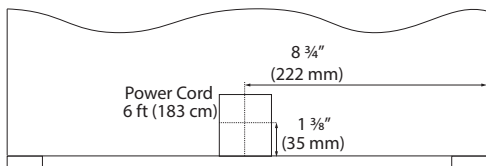
## Front



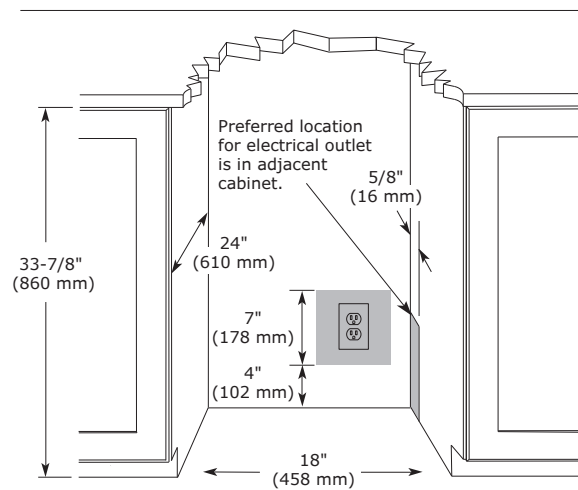
## Side



## Back



## Cabinet Cut-Out



### Commercial Warranty

1 Year (parts & labor) / 5 year sealed system (parts)  
See complete warranty for details

### Installation Notes

- Power cord extends 2" beyond total depth
- No additional clearance is needed for ventilation
- Do not obstruct front grille air flow