

Undercounter Refrigerators

CRE552: 2 Door Undercounter Refrigerator
 CRE570: 3 Door Undercounter Refrigerator
 CRE588: 4 Door Undercounter Refrigerator



CRE552



CRE570



CRE588

Features and Specifications

CRE552: volume of 9.88 cu ft, 2 epoxy coated shelves

CRE570: volume of 15.57 cu ft, 3 epoxy coated shelves

CRE588: volume of 21.2 cu ft, 4 epoxy coated shelves

Max weight per shelf: 66 lb

AISI 304 stainless steel interior and exterior

Temperature range: 28°F to 46°F

Electronic Control

Autodefrost

Epoxy coated, sealed evaporator eliminates potential corrosion

CFC-free high density polyurethane insulated cabinet

Factory pre-wired for dedicated outlet, 11 ft cord and plug included NEMA 5-15P

Environmentally friendly R449a refrigerant CRE552: 41.1 oz (0.400 kg) CRE570: 17.5 oz (0.500 kg) CRE588: 17.5 oz (0.500 kg)

CRE552 dimensions: 33" H x 57 ¹⁵/₃₂" W x 27 ⁹/₁₆" D

CRE570 dimensions: 33" H x 76 ³⁷/₆₄" W x 27 ⁹/₁₆" D

CRE588 dimensions: 33" H x 95 ⁴³/₆₄" W x 27 ⁹/₁₆" D

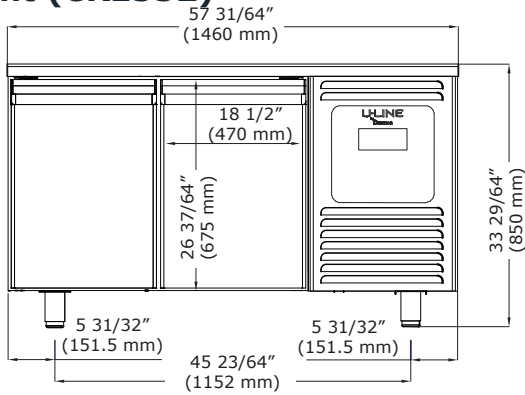
Model Details

Model	Description	Voltage/Hz/Phase/Amps	Shipping Weight
UCRE552-SS61A	2 Door Undercounter Refrigerator	115 / 60 / 1 / 5	353 lb
UCRE570-SS61A	3 Door Undercounter Refrigerator	115 / 60 / 1 / 5	507 lb
UCRE588-SS61A	4 Door Undercounter Refrigerator	115 / 60 / 1 / 5	551 lb

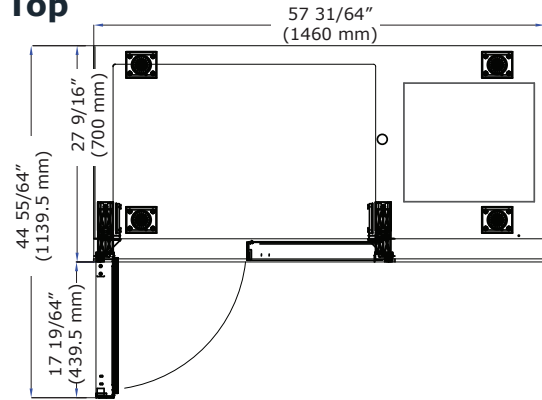


Product Specifications • Undercounter Refrigerators

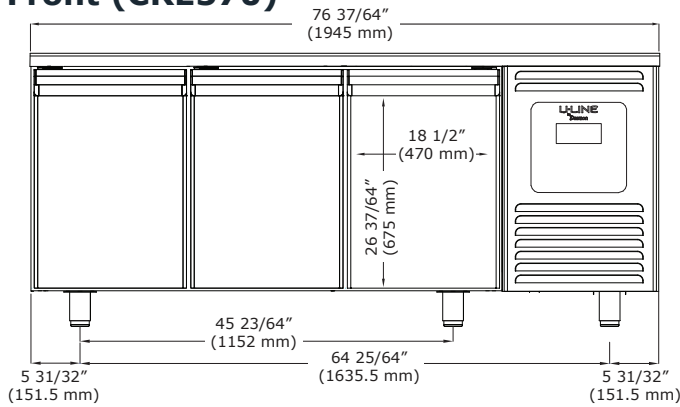
Front (CRE552)



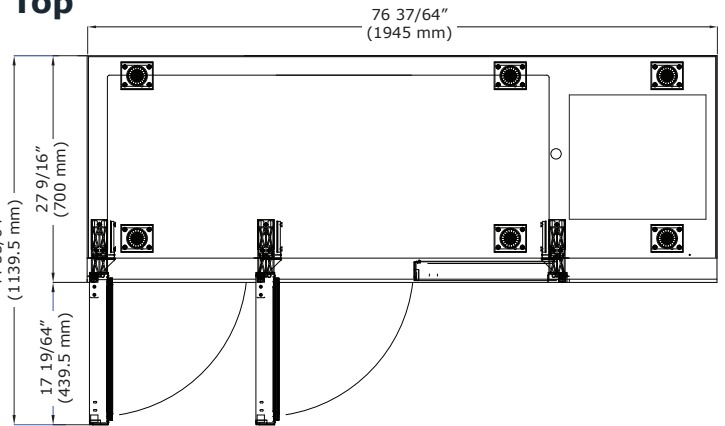
Top



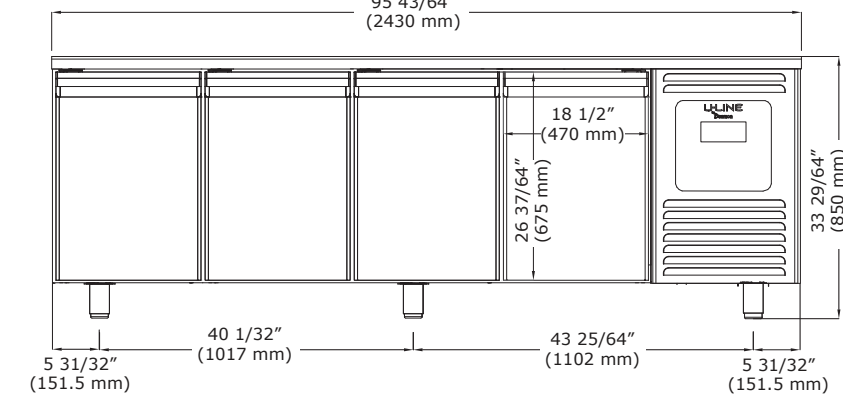
Front (CRE570)



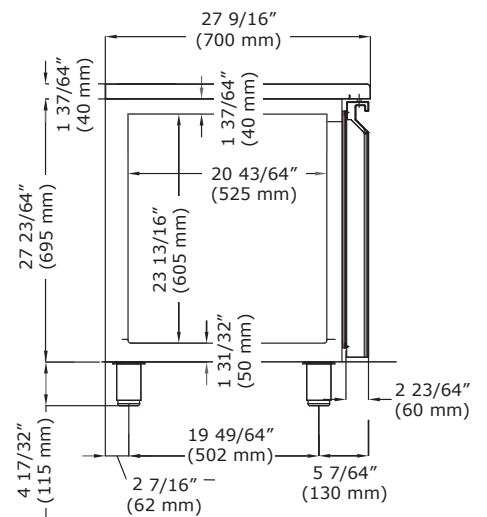
Top



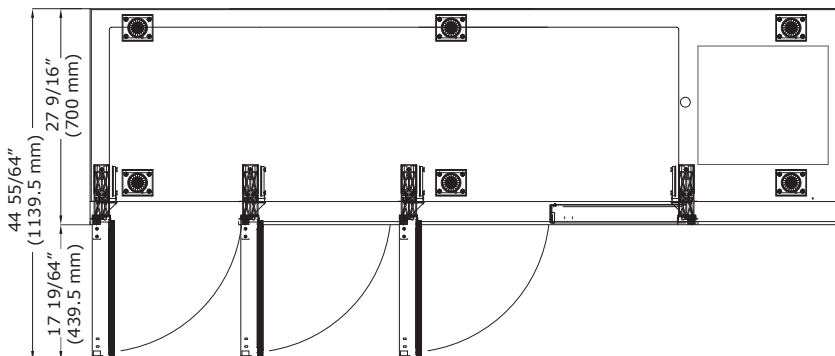
Front (CRE588)



Side (all models)



Top



Commercial Warranty

1 Year (parts & labor) /
5 year sealed system (parts)
See complete warranty for details

