



Refrigeration Equipment Manufacturer

## Undercounter Refrigerator

# U1BRR-06S

Description: One solid door undercounter refrigerator, 6 cu. ft

### Features & Benefits

**Stainless steel interior and exterior for greater durability, construction and appearance.**

Self-contained **rear-mounted** compressor with high humidity coated **fin coil** evaporator.

- Holds 30° F to 42° F for refrigerator

2.5" thick, foamed-in-place polyurethane high density insulation.

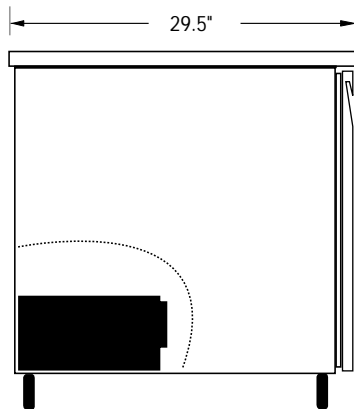
One adjustable, epoxy-coated steel wire shelf. 5" casters standard. **Easy mobility and installation.**

**16 gauge, 300 series stainless steel top.**

Heavy-duty overall construction for high-volume, constant duty operation.

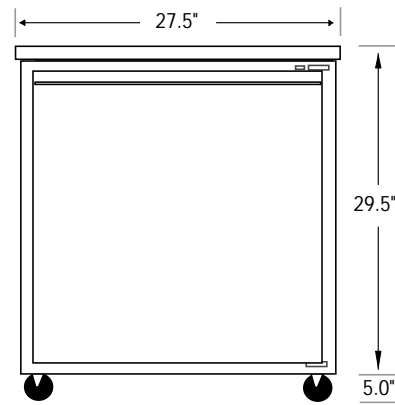
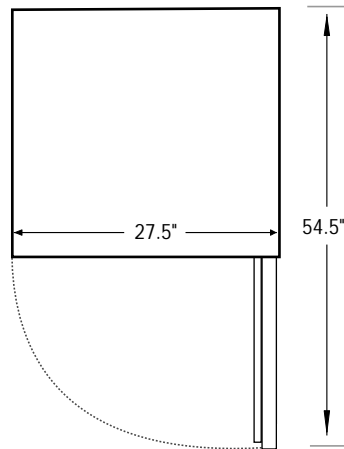
Self-closing doors with 90 degree hold open feature and **fully-recessed handles.**

Electric condensate evaporator - **no floor drain required!**



SIDE VIEW

TOP VIEW



FRONT VIEW

Dimensions	W	D	H
Exterior (inches)	27.5	29.5	29.5
(height with casters)			34.5
Pallet size (inches)	29.5	31.5	4.5

### General Information

Refrigerator                      6                      1

Shelf size:                      22" x 22"  
 Exterior:                      Stainless  
 Interior:                      Stainless  
 Unit Weight (lbs.)              160  
 Gross weight (lbs.)              203  
 Cord length (inches)              79  
 Nema:                      5-20p

**Volts** 115

**Amps** 4.59 (run)  
 6.89 (start)

### Compressor Information

Refrigerant R134A              1                      High/Medium Temp

**Use**                      **H.P**                      .  
 Refrigerator                      1/5

SPECIFICATIONS SUBJECT TO CHANGE WITHOUT NOTICE