



Underbar Corner Drainboards

Stainless Steel Underbar Drainboards



Use your smart phone to scan the above QR code to visit our website:
www.bk-resources.com

Certifications:



Features:

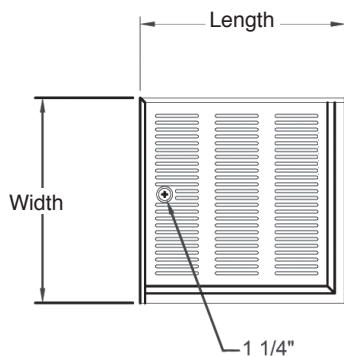
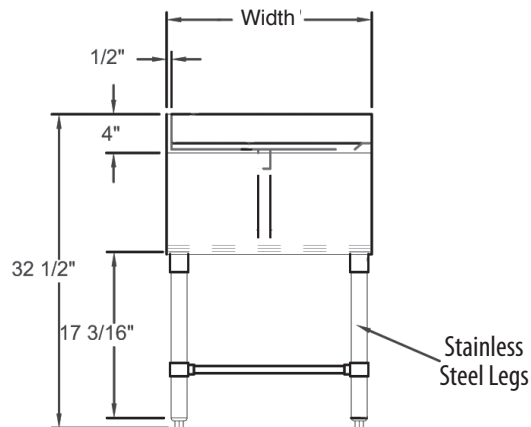
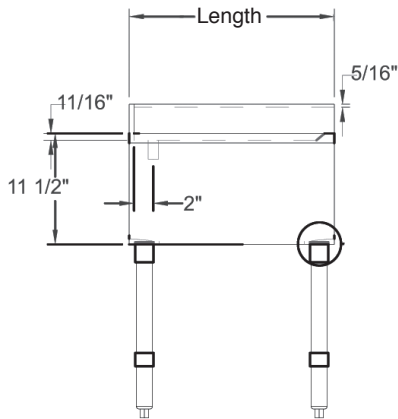
- Standard 18" or 21" Depth
- Includes: BKDR-15CP Drain
- Stamped Drainboards
- 32.5" Height

Material:

- T-304 18 ga. Stainless Steel
- Stainless Steel Legs & Bracing
- Adjustable High Impact Corrosion Resistant Feet



Part Number	Unit Size (l x w)	Height	Weight
BKUBD-C1818S	18" x 18"	32.5"	31 lbs
BKUBD-C2121S	21 1/4" x 21 1/4"	32.5"	35.8 lbs



PRODUCT DATA SHEET

BK RESOURCES

