



Underbar Drain Boards

Stainless Steel Underbar Drain Boards



Use your smart phone to scan the above QR code to visit our website:
www.bk-resources.com

Certifications:



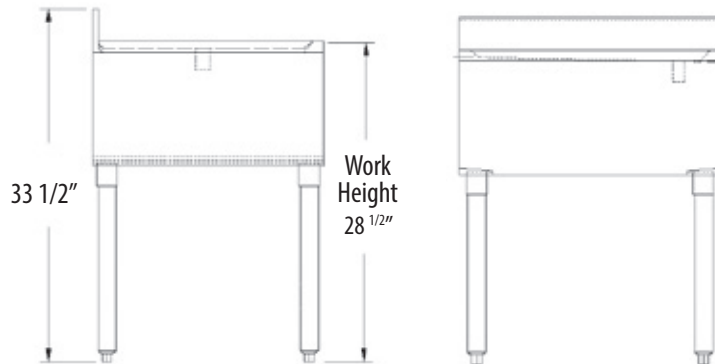
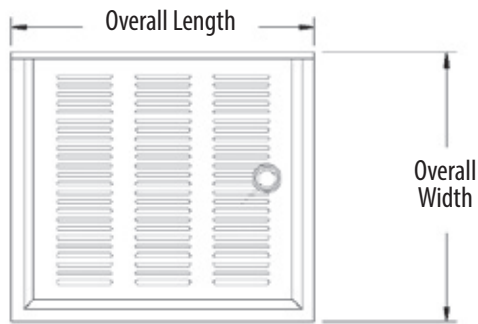
Features:

- Standard 18" or 21" Width
- Stamped & Pitched Drainboards
- Includes: BKDR-15CP Drain
- Stainless Legs Install Directly Into the Sink Body

Material:

- T-304 18 ga. Stainless Steel
- Stainless Steel Legs
- Adjustable High Impact Corrosion Resistant Feet

Part Number	Unit Size (l x w x h)
UB4-18-DB12	12" x 18" x 33 1/2"
UB4-18-DB18	18" x 18" x 33 1/2"
UB4-18-DB24	24" x 18" x 33 1/2"
UB4-18-DB30	30" x 18" x 33 1/2"
UB4-18-DB36	36" x 18" x 33 1/2"
UB4-18-DB48	48" x 18" x 33 1/2"
UB4-21-DB12	12" x 21 1/4" x 33 1/2"
UB4-21-DB18	18" x 21 1/4" x 33 1/2"
UB4-21-DB24	24" x 21 1/4" x 33 1/2"
UB4-21-DB30	30" x 21 1/4" x 33 1/2"
UB4-21-DB36	36" x 21 1/4" x 33 1/2"
UB4-21-DB48	48" x 21 1/4" x 33 1/2"



PRODUCT DATA SHEET

BK RESOURCES

