



STAINLESS STEEL UTILITY CARTS

Item #: _____ *Qty #:* _____
Model #: _____
Project #: _____



FEATURES:

Knock Down Unit.
 4" Swivel Casters
 Sound dampening pads affixed to shelving bottom.
 Adjustable shelves furnished with 1 1/4" x 1" square edge with 1/2" return on four sides.

CONSTRUCTION:

Unit assembles using tapered split sleeves.
 Set of four 4" swivel casters includes two casters with brakes and 4 donut bumpers.

MATERIAL:

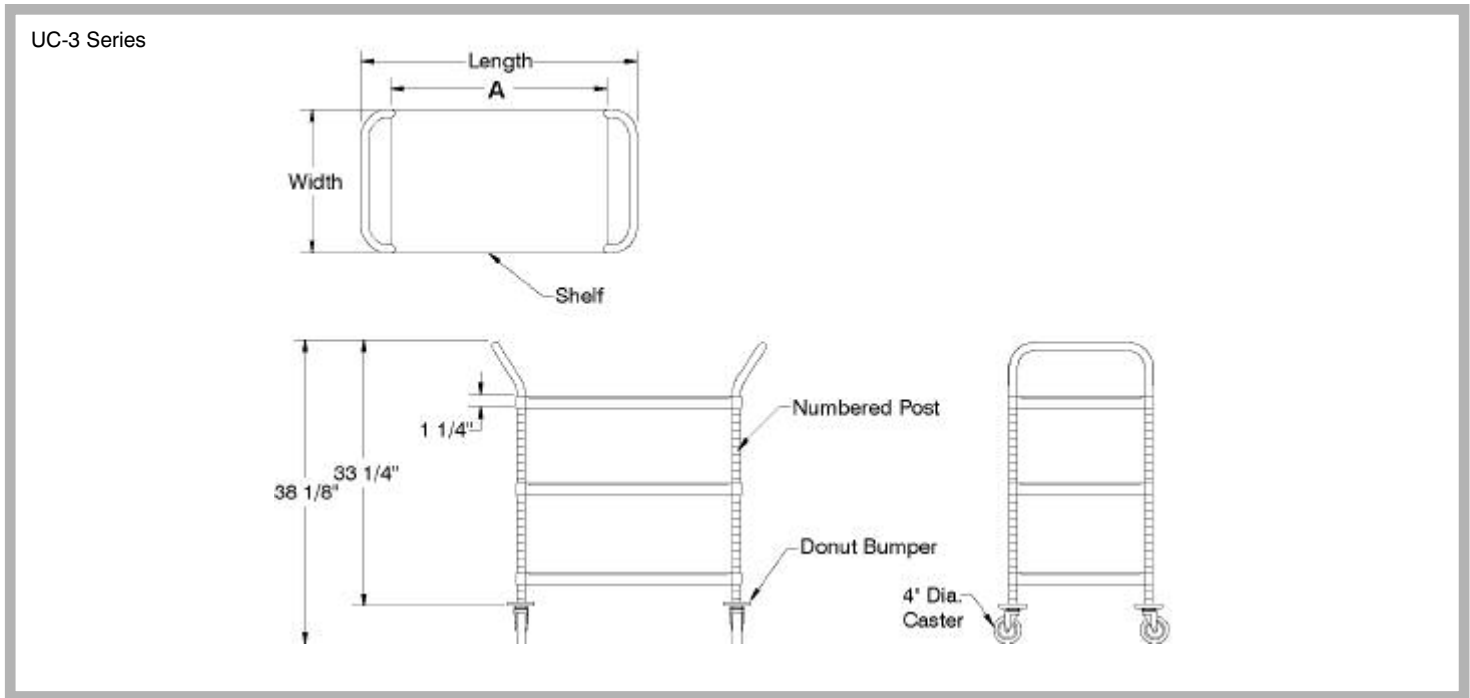
SHELVES: Heavy gauge stainless steel.
TUBING: chrome post.

Model #	A	Length	Width	Wt.
UC-3-1827	27"	34 1/2"	18"	27 lbs.
UC-3-2433	33"	40 1/2"	24"	35 lbs.

DETAILS and SPECIFICATIONS

TOL ± .500"

ALL DIMENSIONS ARE TYPICAL



<p>www.advancetabco.com</p>	<p>Customer Service Available To Assist You 1-800-645-3166 8:30 am - 8:00 pm E.S.T. Email Orders To: customer@advancetabco.com. For Smart Fabrication™ Quotes, Email To: smartfab@advancetabco.com or Fax To: 631-586-2933</p>			
	<p>NEW YORK Fax: (631) 242-6900</p>	<p>GEORGIA Fax: (770) 775-5625</p>	<p>TEXAS Fax: (972) 932-4795</p>	<p>NEVADA Fax: (775) 972-1578</p>