



Profit from the Eagle Advantage®

# Specification Sheet

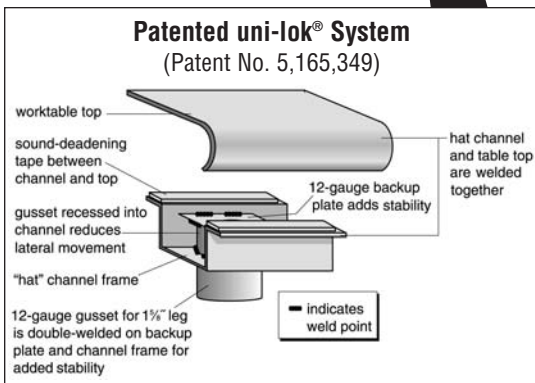
## Short Form Specifications

Eagle Deluxe Series Filler Table, model \_\_\_\_\_.  
 Top to be 16/304 stainless steel with rolled edge on front, sides turned down, and 1½" upturn on rear. Constructed with "Uni-Lock" patented gusset system with the gussets recessed into the hat channels to reduce lateral movement. 1½" O.D. galvanized tubular legs with 1¼" stainless steel cross rails and adjustable stainless steel flanged feet or plastic bullet feet.

Eagle Spec-Master® Series Filler Table, model \_\_\_\_\_.  
 Top to be 14/304 stainless steel with rolled edge on front, sides turned down and 1½" upturn on rear. Constructed with "Uni-Lock" patented gusset system with the gussets recessed into the hat channels to reduce lateral movement. 1½" O.D. stainless steel tubular legs with 1¼" stainless steel tubular cross rails, and adjustable stainless steel flanged feet or bullet feet.



filler table



**EAGLE GROUP**  
 100 Industrial Boulevard, Clayton, DE 19938-8903 USA  
 Phone: 302-653-3000 • Fax: 302-653-2065  
 www.eaglegrp.com

**Foodservice Division: Phone 800-441-8440**  
**MHC/Retail Display Divisions: Phone 800-637-5100**

For custom configuration or fabrication needs, contact our **SpecFAB® Division**.  
 Phone: 302-653-3000 • Fax: 302-653-3091 • e-mail: specfab@eaglegrp.com

Item No.: \_\_\_\_\_  
 Project No.: \_\_\_\_\_  
 S.I.S. No.: \_\_\_\_\_

## Filler Tables with Rear Upturn

### MODELS:

- |  |  |  |
|--|--|--|
| <input type="checkbox"/> <b>UT2412STE</b>  | <input type="checkbox"/> <b>UT3012STE</b>  | <input type="checkbox"/> <b>UT3612STE</b>  |
| <input type="checkbox"/> <b>UT2412STEB</b> | <input type="checkbox"/> <b>UT3012STEB</b> | <input type="checkbox"/> <b>UT3612STEB</b> |
| <input type="checkbox"/> <b>UT2415STE</b>  | <input type="checkbox"/> <b>UT3015STE</b>  | <input type="checkbox"/> <b>UT3615STE</b>  |
| <input type="checkbox"/> <b>UT2415STEB</b> | <input type="checkbox"/> <b>UT3015STEB</b> | <input type="checkbox"/> <b>UT3615STEB</b> |
| <input type="checkbox"/> <b>UT2418STE</b>  | <input type="checkbox"/> <b>UT3018STE</b>  | <input type="checkbox"/> <b>UT3618STE</b>  |
| <input type="checkbox"/> <b>UT2418STEB</b> | <input type="checkbox"/> <b>UT3018STEB</b> | <input type="checkbox"/> <b>UT3618STEB</b> |

### Tabletop

- Top reinforced with welded-on hat channel.
- Sound-deadened between top and channels.
- 1½" (38mm) 90° rear upturn with radius at intersection.
- 1½" (38mm)-diameter 180° rolled edge on front. Ends are turned down 90° providing for flush installations when required.
- Deluxe Series: 16 gauge type 304 polished stainless steel.
- Spec-Master® Series: 14 gauge type 304 polished stainless steel.

### Crossbracing—1¼" (38mm)-diameter

- Heavy gauge type 304 stainless steel.
- Front-to-back and side-to-side.
- Aluminum castings join crossbraces, legs and rear brace.

### Legs—1½" (41mm)-diameter

- Patented uni-lok® gusset system (patent #5,165,349): gussets are recessed into hat channel, reducing lateral movement.
- Heavy gauge stainless steel.
- Deluxe Series: Galvanized gussets.
- Spec-Master® Series: Stainless steel gussets and stainless steel hat channels.
- All 12" and 15" (305 and 381mm)-long tables feature stainless steel adjustable flanged feet.
- 18" (457mm)-long Deluxe Series tables feature adjustable plastic bullet feet; 18" (457mm)-long Spec-Master® Series tables feature adjustable stainless steel bullet feet.

### Options / Accessories

- Undershelf
- Side upturns



Certifications / Approvals



EG10.51 Rev. 07/08

**Spec sheets available for viewing, printing or downloading from our online literature library at [www.eaglegrp.com](http://www.eaglegrp.com)**

Eagle Foodservice Equipment, Eagle MHC, SpecFAB®, and Retail Display are divisions of Eagle Group. ©2008 by the Eagle Group

A City Discount

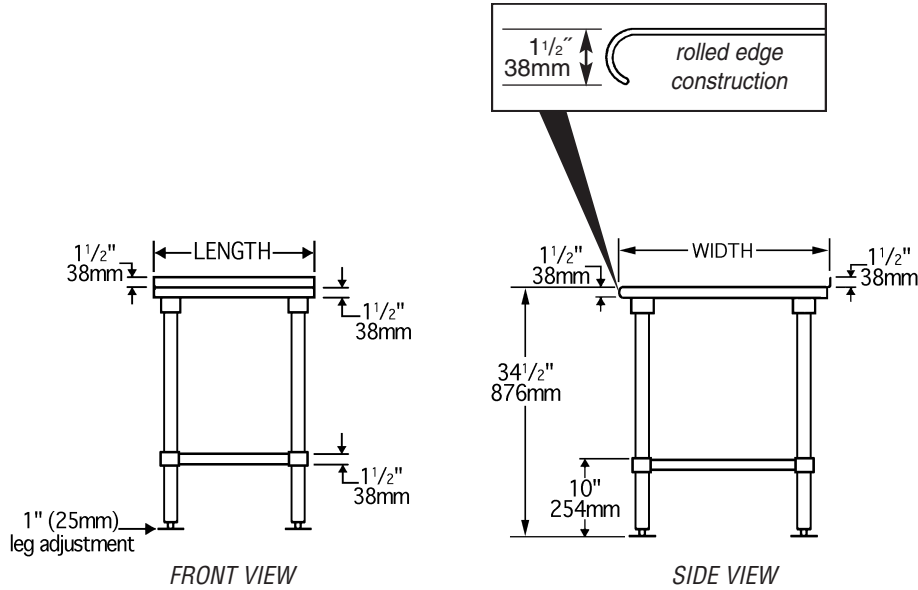
Catalog Specification Sheet No. **EG10.51**

Filler Tables with Rear Upturn



Item No.: \_\_\_\_\_  
 Project No.: \_\_\_\_\_  
 S.I.S. No.: \_\_\_\_\_

## Filler Tables with Rear Upturn



| DELUXE<br>SERIES<br>model # | SPEC-MASTER®<br>SERIES<br>model # | # of<br>legs | width |     | length |     | weight * |      |
|-----------------------------|-----------------------------------|--------------|-------|-----|--------|-----|----------|------|
|                             |                                   |              | in.   | mm  | in.    | mm  | lbs.     | kg   |
| UT2412STEB                  | UT2412STE                         | 4            | 24"   | 610 | 12"    | 305 | 30       | 13.6 |
| UT2415STEB                  | UT2415STE                         | 4            | 24"   | 610 | 15"    | 381 | 34       | 15.4 |
| UT2418STEB                  | UT2418STE                         | 4            | 24"   | 610 | 18"    | 457 | 36       | 16.3 |
| UT3012STEB                  | UT3012STE                         | 4            | 30"   | 762 | 12"    | 305 | 34       | 15.4 |
| UT3015STEB                  | UT3015STE                         | 4            | 30"   | 762 | 15"    | 381 | 36       | 16.3 |
| UT3018STEB                  | UT3018STE                         | 4            | 30"   | 762 | 18"    | 457 | 40       | 18.1 |
| UT3612STEB                  | UT3612STE                         | 4            | 36"   | 914 | 12"    | 305 | 37       | 16.8 |
| UT3615STEB                  | UT3615STE                         | 4            | 36"   | 914 | 15"    | 381 | 40       | 18.1 |
| UT3618STEB                  | UT3618STE                         | 4            | 36"   | 914 | 18"    | 457 | 45       | 20.4 |

\* On Spec-Master® tables, increase stated weight by 10%.

**EAGLE GROUP**  
 100 Industrial Boulevard, Clayton, DE 19938-8903 USA  
 Phone: 302-653-3000 • Fax: 302-653-2065  
 www.eaglegrp.com

Foodservice Division: Phone 800-441-8440  
 MHC/Retail Display Divisions: Phone 800-637-5100

Printed in U.S.A.  
 ©2008 by Eagle Group

Rev. 07/08

Spec sheets available for viewing, printing or downloading from our online literature library at [www.eaglegrp.com](http://www.eaglegrp.com)

Although every attempt has been made to ensure the accuracy of the information provided, we cannot be held responsible for typographical or printing errors. Information and specifications are subject to change without notice. Please confirm at time of order.