



ULTRA-GLO™ PORTABLE FOODWARMERS

Models UGFF, UGFL, UGFFB, UGFFBL

Hatco Ultra-Glo Portable Foodwarmers keep food hot at kitchen work areas, waitress pickup stations or customer serving points. Available in models and sizes to meet every food warming need.

FLEXIBILITY

Perfect for fry stations, Ultra-Glo is designed with a greater distance between the heating element and the holding pan than the standard foodwarmer. The distance, combined with the compact element housing, makes it easier to access the product while maintaining proper food temperatures. The special ceramic element emits radiant heat that blankets the target surface and food product. These models come with a 6' (1829 mm) cord and plug attached.

Hatco can custom design portable foodwarmers to meet customer specifications or to fit an unusual situation. A wide selection of accessories including food pans, trivets, and fry ribbons make Ultra-Glo foodwarmers ideal for any location.

QUALITY

The following features assure the finest performance for years to come:

- Models include heat above the food, with optional base heat.
- All models are factory pre-wired with a 6' (1829 mm) cord and plug.
- Optional incandescent lights available to enhance food appeal.



Model UGFFL
in optional translucent
gloss finish with
accessory fry ribbon
and food pan



Model UGFFBL
with base heat in
optional translucent
gloss finish and
accessory food pans



CERAMIC HEATING ELEMENTS GUARANTEED AGAINST BURNOUT FOR ONE YEAR.



HATCO CORPORATION P.O. Box 340500 Milwaukee, WI 53234-0500 U.S.A.
(800) 558-0607 • (414) 671-6350 • Fax (800) 543-7521 • Int'l. Fax (414) 671-3976
www.hatcocorp.com • E-mail: equipsales@hatcocorp.com

Form No. UGFF Spec Sheet

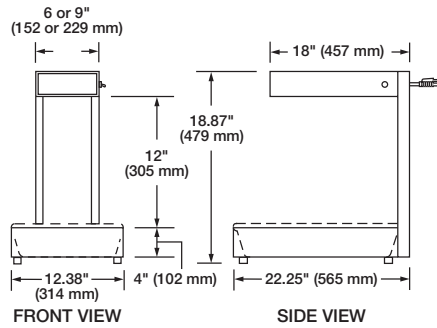
A City Discount

Printed in U.S.A.
February 2009

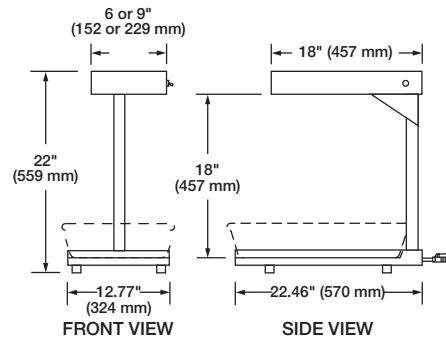


ULTRA-GLO™ PORTABLE FOODWARMERS

Models UGFF, UGFFL, UGFFB, UGFFBL



Model UGFF and UGFFL



Model UGFFB and UGFFBL

SPECIFICATIONS

| Model* | Watts | Amps | Shipping Weight |
|--------|-------|------|-----------------|
| UGFF | 750 | 6.3 | 15 lbs. (7 kg) |
| UGFFL | 870 | 7.3 | 19 lbs. (9 kg) |
| UGFFB | 1000 | 8.3 | 26 lbs. (12 kg) |
| UGFFBL | 1120 | 9.3 | 31 lbs. (14 kg) |

* "L" in model name indicates units with lights.
"B" in model name indicates base heat.

DIMENSIONS

UGFF & UGFFL: 12.38"W x 22.25"D x 18.87"H (314 x 565 x 479 mm).
UGFFB & UGFFBL: 12.77"W x 22.46"D x 22"H (324 x 570 x 559 mm).

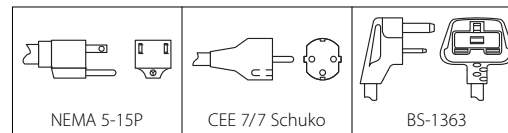
VOLTAGE

120 volts, single phase (uses NEMA 5-15P).

CORD LOCATION

UGFF, UGFFL: Back, upper middle.
UGFFB, UGFFBL: Back, lower middle.

PLUG CONFIGURATION



OPTIONS (NOT FOR RETROFIT)

- Designer Colors: (One color per unit, heated base is not powdercoated) Warm Red, Black, Gray Granite, White Granite, Navy Blue, Hunter Green, Antique Copper
- Gloss Finishes: (One color per unit, heated base is not painted) Gleaming Gold, Glossy Gray, Bold Black, Radiant Red, Brilliant Blue
- Halogen Bulb in lieu of Standard Display Bulb

ACCESSORIES

- 5 Pleat Hardcoated French Fry Box Ribbon
- 8 Pleat Hardcoated French Fry Bag Ribbon
- Food Holding Pans
- Wire Trivets

PRODUCT SPECS

Portable Foodwarmer

The Portable Foodwarmer shall be an Ultra-Glo™, manufactured by the Hatco Corporation, Milwaukee, WI 53234 U.S.A.

With 24/7 parts and service assistance (U.S. and Canada only), the Foodwarmer shall be an Ultra-Glo Model ..., rated at ...watts, ...volts, single phase and be ...inches (millimeters) in overall width.

The Ultra-Glo shall consist of an aluminum housing and include a ceramic heating element and a 6' (1829 mm) cord with plug attached. Accessories shall include food holding pans, trivets, and fry ribbons.