

TWO TANK SINKS – STAINLESS STEEL BOWLS



MODELS

TS Series

□ TS22C

MODELS

TSD Series

□ TSD22C



Perlick Features

- Deep drawn stainless steel bowls
- NSF listed, commercial grade hot/cold water faucet (must be ordered separately)
- Underside is sound-deadened
- Stainless steel legs install without tools and have “Rust Free” thermoplastic feet



GENERATIONS OF
EXCELLENCE

Form No. SK03
Rev. 09.19.2011

Perlick[®]

8300 West Good Hope Road • Milwaukee, WI 53223 • Phone 414.353.7060 • Fax 414.353.7069
Toll Free 800.558.5592 • E-Mail perlick@perlick.com • www.perlick.com

Size and Specifications

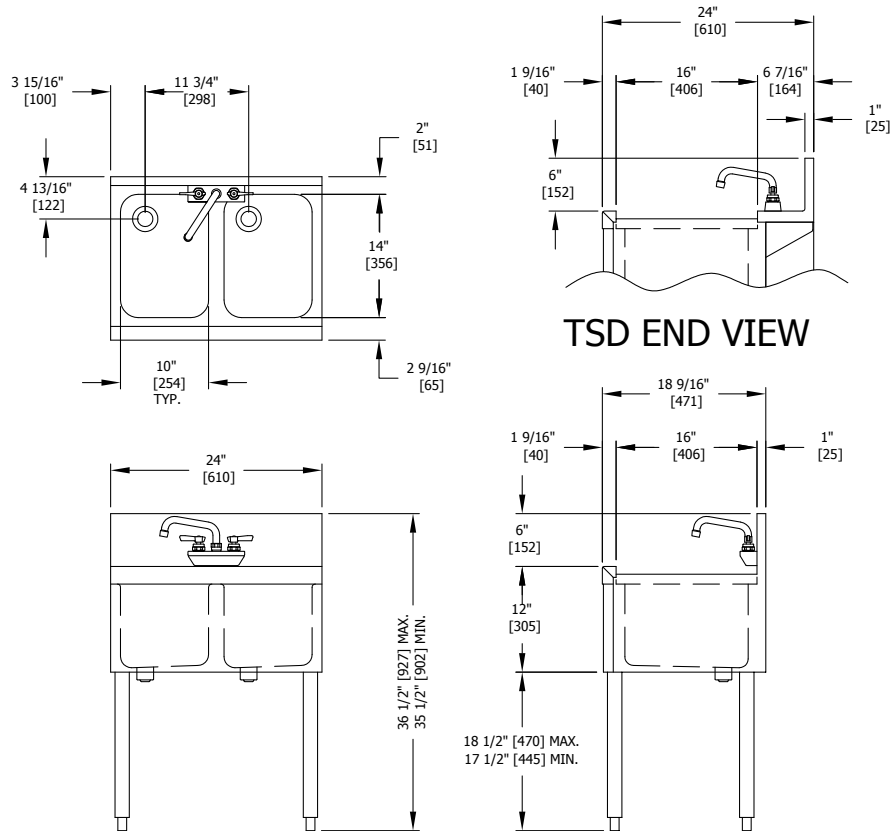
Two Tank Sinks – Stainless Steel Bowls

Job _____
 Area _____
 Item No. _____
 Model No. _____



MODEL NO.	TS(D)22C
LENGTH IN. (mm)	24" (610)
SHIP WEIGHT LB. (kg)	65 (30)
TOP & SIDES	Stainless steel
BACK & BOTTOM	Stainless steel back, Galvanized bottom
BACKSPLASH	Stainless steel 6" high (4" high optional) with 1" return at the top, mechanically fastened and sealed with steel support brackets. TSD Series: Stainless steel rear deck
LEGS	1-5/8" tubular, stainless steel with 1" adjustable thermoplastic foot.
BOWL	Stainless steel with sound deadening. 10"x14"x9-1/4" deep. All horizontal and vertical edges 1-1/2" radius with balled corners. Furnished with 1-1/2" stainless steel drain socket. 8-1/2" standpipe.
WATER FAUCET	Chrome plated, hot and cold, 6" swing spout faucet. Heavy-duty all brass construction. Must be ordered separately.
PLUMBING	Drain connection: 1-1/2" NPS male. Hot and cold water connection TS Series: 3/8" copper supply tubes TSD Series: 1/2" IPS shanks and nuts
OPTIONAL ACCESSORIES	6" Swing Spouts (wall or deck mounted, also available Lead-Free), Perforated Cover (converts bowl area on TS22C Sink into a drainboard), Drain Connection Kit for Sinks with 2 Tanks

**Faucet shown for clarity; must be ordered separately*



Form No. SK03
 Rev. 09.19.2011



8300 West Good Hope Road • Milwaukee, WI 53223 • Phone 414.353.7060 • Fax 414.353.7069
 Toll Free 800.558.5592 • E-Mail perlick@perlick.com • www.perlick.com

Perlick is committed to continuous improvement. Therefore, we reserve the right to change specifications without prior notice