

UNDERCOUNTER GLASSWASHERS DOOR STYLE WITH HEATER

Perlick Features

- Energy Star qualified.
- 30 racks per hour.
- Economical to operate. Uses only 1.7 gallons of water per cycle.
- All stainless steel construction assures long life and years of trouble free operation.
- Unique spray arm system features upper and lower stainless steel wash arms with reinforced end caps.
- Built-in chemical pumps and deliming system assures proper chemical usage.
- Convenient to service "Works-in-a-drawer". All electrical components are attached to a sliding drawer for easy access and service.
- Instant start for simple operation.
- Built-in hot Water Assurance System guarantees hot water every cycle.
- Pump drain allows for flexible installations. No floor drain required.
- Wash tank sustainer heater keeps water at proper temperature between loads.

MODEL NOS.

□ PKD24A



PKD24A



8300 West Good Hope Road • Milwaukee, WI 53223 • Phone 414-353-7060 • Fax 414-353-7069
Toll Free 800-558-5592 • E-Mail: Perlick@Perlick.com • www.Perlick.com

Form No. 060110
Rev. 06.01.10

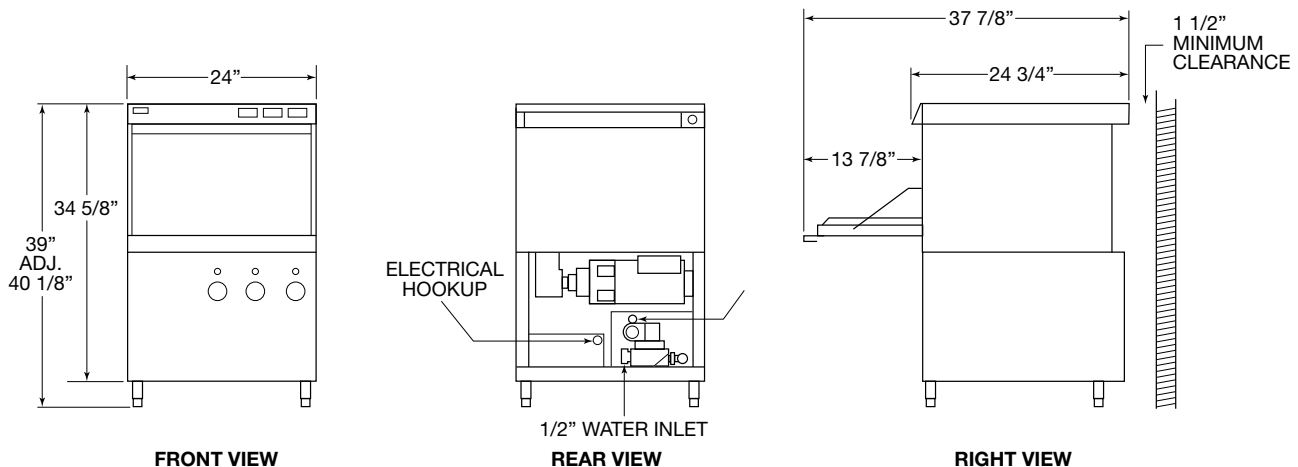
Sizes and Specifications — PKD24A

Undercounter Glasswasher Door Style w/Heater

Job _____
 Area _____
 Item No. _____
 Model No. _____



MODEL NOS.		PKD24A
CABINET DIMENSIONS	Length - Inches (mm)	24" (610)
	Depth - Inches (mm)	24 ³ / ₄ " (630)
	Height - Inches (mm)	39" — 40 ¹ / ₈ " (990-1020)
MAX CLEARANCE FOR GLASSWARE		11 ¹ / ₄ " (285.7mm)
OPERATING CAPACITY		30 Racks per hour
OPERATING CYCLE		Wash time - 57 Sec. Rinse time - 48 Sec. Dwell/time - 15 Sec. Total cycle time - 120 Sec.
WASH TANK CAPACITY		1.7 Gal. (6.45 L).
WASH PUMP CAPACITY		35 GPM (132 LPM)
DRAIN FLOW (gals. per cycle)		2
EXHAUST REQUIREMENTS		None
MINIMUM TEMPERATURE REQUIRED		120° F (50° C) wash temperature
WATER CONSUMPTION		1.7 Gal. (6.45 L) per rack. 40.8 GPH (154.4 LPH). 1/2" (12.7mm) water inlet. 1" (25mm) Drain
WASH PUMP MOTOR HP		1
STANDARD GLASS RACK DIMENSIONS		19 ³ / ₄ " X 19 ³ / ₄ " (500 X 500mm)
ELECTRICAL RATING		115 Volts, 16 Amps. <i>Item must be hard wired.</i>
SHIP WT lbs. (kg)		244 (110.6)
PLUMBING	Hot water inlet connection: 1/2" NPT. Incoming hot water: 120° F minimum, 30-60 PSI. Drain: 1" NPT	
WATER HARNESS	Water containing more than 15 GPG will require a water softener. Caution: <i>Parts failure caused by hard water are not covered under Perlick's warranty.</i>	
DETERGENT, SANITIZER and RINSE AID	Detergent: A heavy-duty liquid warewashing detergent containing water conditioners. Chlorine Sanitizer: Any EPA registered chlorine can be used. The EPA marking can be found on the container label. Rinse Aid: A low-foaming warewashing rinse aid containing water conditioners. Note: <i>To ensure maximum glasswasher performance. It is important to select the appropriate detergent and rinse aid for specific water conditions. These chemicals can be purchased from a local chemical supplier or food service distributor.</i>	
SUMMARY SPECIFICATIONS	The PKD24A glasswasher is designed to produce sparkling clean glassware utilizing our unique Hot Water Assurance System. The PKD24A is easy to use, fast and efficient, while conserving water, energy and chemicals. Built-in sustainer heater provides continuous 130°F hot water every cycle. The PKD24A is constructed entirely of stainless steel and is equipped with an integrated chemical delivery system. The PKD24A incorporates a pump purging system that improves results by eliminating soil and chemical carryover during rinse cycle.	
AVAILABLE OPTIONS	Alternative electrical available for export.	



8300 West Good Hope Road • Milwaukee, WI 53223 • Phone 414-353-7060 • Fax 414-353-7069
 Toll Free 800-558-5592 • E-Mail: Perlick@Perlick.com • www.Perlick.com

Perlick is committed to continuous improvement. Therefore, we reserve the right to change specifications without prior notice. Form No. 060110
 Rev. 06.01.10

A City Discount