

UNDERCOUNTER GLASSWASHERS AUTOMATIC ROTARY

Perlick Features

- Cleans and sanitizes up to 1000 2 1/2" glasses per hour.
- Hands-free glass activated on/off stop is safe and convenient.
- Independent upper and lower wash and rinse arms ensure superior results.
- 120V with built-in 1.25kw electric tank heater maintains the recirculated wash water to the recommended 140°F wash temperature.
- Compatible with both iodine and chlorine sanitizers.
- Simple controls for operation and cleaning.
- All stainless steel construction assures trouble free service and a long life.
- Adjustable rinse temperature allows flexible sanitizing options.
- Poly Pro™ circular conveyor is extremely durable and reduces chipping and breakage of glassware.
- Double wall construction for quiet back bar operation.
- Internal chemical storage.
- Built-in chemical pumps with primer switches.

MODEL NOS.

PKC24



PKC24



8300 West Good Hope Road • Milwaukee, WI 53223 • Phone 414-353-7060 • Fax 414-353-7069
Toll Free 800-558-5592 • E-Mail: Perlick@Perlick.com • www.Perlick.com

Form No. 053110
Rev. 06.01.10

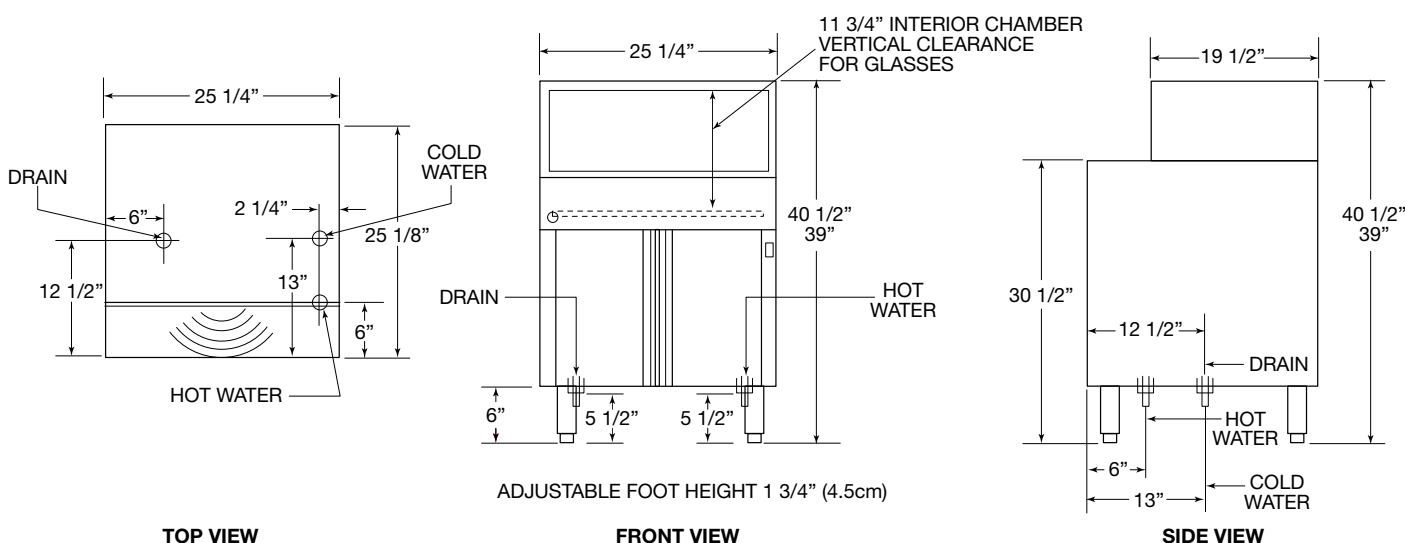
Sizes and Specifications — PKC24

Undercounter Glasswasher Automatic Rotary

Job _____
 Area _____
 Item No. _____
 Model No. _____



MODEL NOS.		PKC24
CABINET DIMENSIONS	Length - Inches (mm)	25 1/4" (641)
	Depth - Inches (mm)	25 1/8" (638)
	Height - Inches (mm)	39" — 40 1/2" (990-1028)
MAX CLEARANCE FOR GLASSWARE		11 3/4" (298.4mm)
OPERATING CAPACITY		1000 (2 1/2") glasses per hour
OPERATING TEMPERATURES		Inlet water (hot) recommended 140°F (60°C). Inlet water (cold) 75°F (24°C)
WATER CONSUMPTION		Hot water (initial fill) 3 Gal. (11.25 L). Hot water per hour (max.) 12 Gal. (45.42 L). Cold water per minute (approximately) 28 GPM (10.6 LPM).
WATER REQUIREMENTS		Hot water inlet 1/2" (12.7mm). Cold water inlet 1/2" (12.7mm). Drain (Max.) 1 1/2" (38.1mm)
DRAIN FLOW (gals. per hour)		Continuous operation: Max. 180 GPH
EXHAUST REQUIREMENTS		None
ELECTRICAL RATING		120/60/1 Volts — 11 Amps
TANK HEATER		1.25kw
SHIP WT lbs. (kg)		156 (71)
PLUMBING	Hot and Cold Water Inlet Connection: 1/2" NPT. Incoming Hot Water: 120° F, at 30-60 PSI. Incoming Cold Water: 75° F at 30-60 PSI. Drain: 1 1/2" tale piece.	
WATER HARNESS	Water containing more than 15 GPG will require a water softener. Caution: Parts failure caused by hard water are not covered under Perlick's warranty.	
DETERGENT, SANITIZER and RINSE AID	Detergent: A heavy-duty liquid warewashing detergent containing water conditioners. Chlorine Sanitizer: Any EPA registered chlorine can be used. The EPA marking can be found on the container label. Rinse Aid: A low-foaming warewashing rinse aid containing water conditioners. Note: To ensure maximum glasswasher performance. It is important to select the appropriate detergent and rinse aid for specific water conditions. These chemicals can be purchased from a local chemical supplier or food service distributor.	
SUMMARY SPECIFICATIONS	The PKC24 glasswasher is designed to produce sparkling clean glassware utilizing separate detergent, sanitizer and rinse aid chemical pumps. Standard features include upper and lower wash/rinse arms, wash tank heater, Poly Pro™ conveyor, splash curtains, double-walled construction, and storage space for three 1-gallon containers. The PKC24 is constructed for extended life out of stainless steel.	



8300 West Good Hope Road • Milwaukee, WI 53223 • Phone 414-353-7060 • Fax 414-353-7069
 Toll Free 800-558-5592 • E-Mail: Perlick@Perlick.com • www.Perlick.com

Perlick is committed to continuous improvement. Therefore, we reserve the right to change specifications without prior notice. Form No. 053110 Rev. 06.01.10

A City Discount