

Project _____

Item Number _____

Quantity _____

SL160RB/SL200RB

Spiral Mixer
with Removable Bowl

Univex Corporation



SL160RB / SL200RB SILVERLINE Spiral Mixers with Removable Bowl

Models:

- SL160RB: 243 quart (230 Liter) Spiral Mixer
- SL200RB: 306 quart (290 Liter) Spiral Mixer



Features:

- Stainless steel bowl, spiral dough hook, and shaft
- Separate bowl and agitator motors
- Has two speeds and reverse function
- Control board has separate timers for 1st and 2nd speed
- Safety switches protect operator from injury if bowl lid is open
- Powerful belt drive provides low vibration, low noise, and economical maintenance for years of reliable service

Standard Accessories:

- Stainless steel bowl
- Dolly with bowl for 160 or 200 depending on machine
- Electromagnetic hook for bowl

Optional Accessories:

- Extra dolly with bowl

Dough Capacity:

SL160RB: 350lb (160kg)
SL200RB: 440lb (200kg)

Dough Hook:

1st speed: 95 rpm
2nd speed: 190 rpm

Bowl:

20 rpm

Warranty:

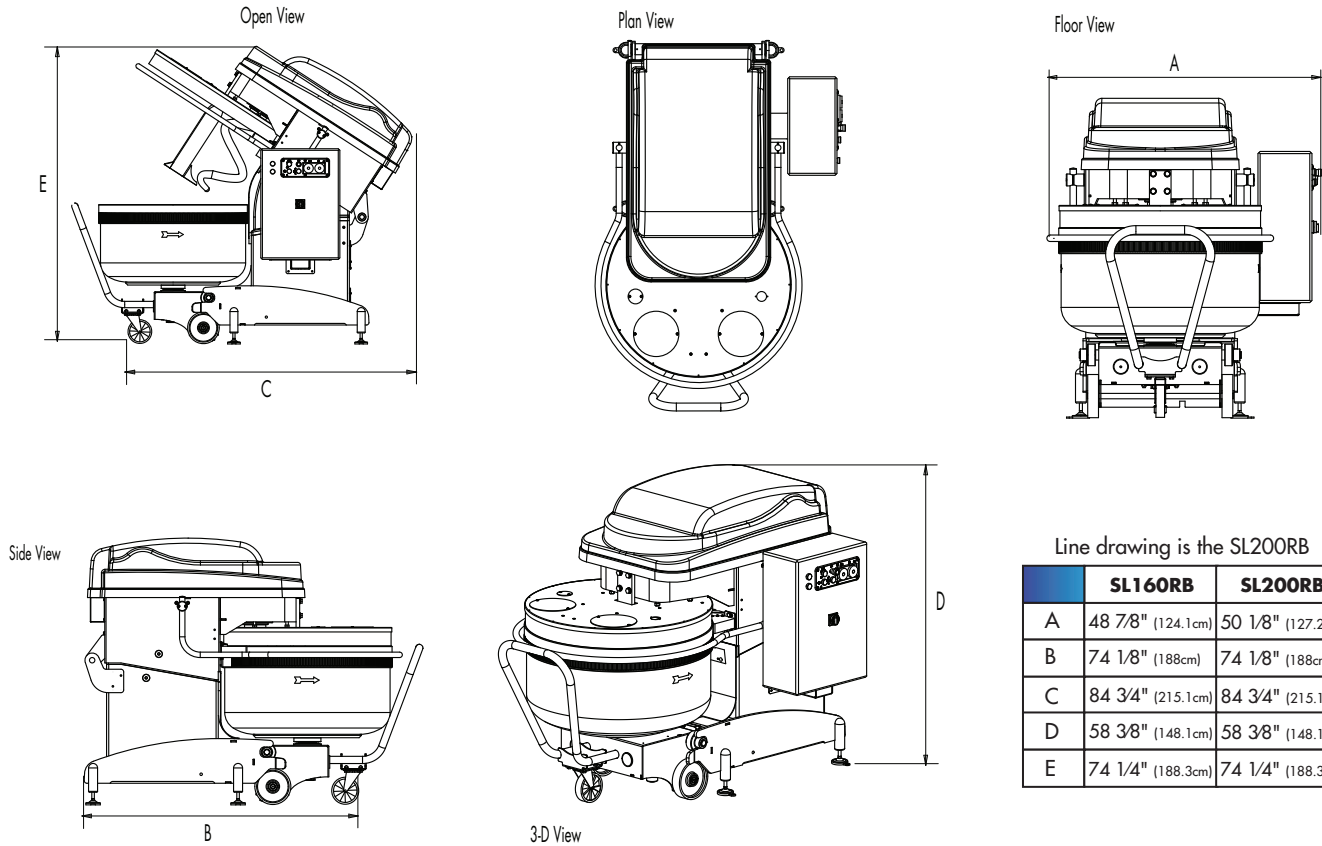
- One year, on-site parts and labor



WE RAISE THE BAR. WE SET THE STANDARD.

SILVERLINE Spiral Mixer with Removable Bowl

SL160RB / SL200RB



Line drawing is the SL200RB

	SL160RB	SL200RB
A	48 7/8" (124.1cm)	50 1/8" (127.2cm)
B	74 1/8" (188cm)	74 1/8" (188cm)
C	84 3/4" (215.1cm)	84 3/4" (215.1cm)
D	58 3/8" (148.1cm)	58 3/8" (148.1cm)
E	74 1/4" (188.3cm)	74 1/4" (188.3cm)

Transmission: Heavy duty low noise and low vibration belt drive.

Bowl Guard: Swings open for full access to bowl. Guard must be closed for mixer operation.

Controls: Control panel with digital timers. Separate timers for high and low speed.
Security key for manual use. Bowl reverse direction switch.

Plug: Hardwire with Shutoff

Electrical Information (60Hz)

Model	Voltage	Phase	Spiral hp(kW)	Bowl hp(kW)	Head hp(kW)	Total hp(kW)	Spiral Amps	Bowl Amps	Head Amps	Total Amps
SL160RB	220	3	19.2 (14.4)	1 (.75)	1 (.75)	21.2 (15.9)	61.6	4.48	4.48	70.56
SL160RB Optional Voltage	400	3	19.2 (14.4)	1 (.75)	1 (.75)	21.2 (15.9)	30.8	2.24	2.24	33.04
SL200RB	220	3	19.2 (14.4)	1 (.75)	1 (.75)	21.2 (15.9)	61.6	4.48	4.48	70.56
SL200RB Optional Voltage	400	3	19.2 (14.4)	1 (.75)	1 (.75)	21.2 (15.9)	30.8	2.24	2.24	33.04

Shipping Information

Model	Net Weight	Shipping Weight	Overall Dimensions
SL160RB	2,161 lbs. (980Kg)	2,350 lbs. (1,065.9Kg)	68" (172.7cm) H x 88" (223.5cm) W x 66" (167.6cm) D
SL200RB	2,403 lbs. (1,090Kg)	2,460 lbs. (1,115.8Kg)	68" (172.7cm) H x 88" (223.5cm) W x 66" (167.6cm) D

*The weight and dimensions of the pallet are included in the weight and dimensions above.



Univex Corporation
www.Univexcorp.com

3 Old Rockingham Rd
Salem, NH 03079
United States of America

INTL TEL: (800)258-6358
TEL: (603)893-6191
INTL FAX: (800)356-5614
FAX: (603)893-1249