

O V E N S

VULCAN**VC3E SERIES**
SINGLE DECK ELECTRIC CONVECTION OVENS

Model VC3ED
Shown with optional legs

SPECIFICATIONS

Single section, electric convection oven, Vulcan-Hart Model No. (VC3ED). Stainless steel front, sides and top. Painted legs. Independently operated removeable stainless doors with double pane windows. Non-sag insulation applied to top, rear, sides, bottom. Porcelain enamel on steel oven interior measures 29" w x 22¹/₈" d x 20" h. One interior oven light. Five nickel plated oven racks measure 28¹/₄" x 20¹/₂". Eleven position nickel plated rack guides with positive rack stops. Heated by electric solid sheath elements rated at 12.0KW. Furnished with a two speed 1/2 H.P. oven blower motor. Oven cool switch for rapid cool down. 208/240V 60Hz 1 or 3 phase.

Exterior Dimensions:

40" w x 40¹/₈" d (includes motor & door handles)

40" w X 40¹/₈" d (includes motor & door handles)

36¹/₄" d (includes motor only)

56" h on 25³/₄" legs

STANDARD FEATURES

- Solid state temperature controls from 150 to 500F.
- 60 minute timer with audible alarm.
- Stainless steel front, sides and top.
- Stainless steel front, sides and top.
- Painted legs.
- Independently operated removable stainless steel doors with double pane windows.
- 12.5 total KW.
- 1/2 H.P. two speed oven blower-motor.
- Moisture vent.
- Oven cool switch for rapid cool down.
- Porcelain enamel on steel oven interior.
- Five nickel plated oven racks with eleven rack positions.
- One year limited parts and labor warranty.

OPTIONS

- Stainless steel of painted legs.
- Casters.
- 480V/60 Hz/1 or 3 phase.
- Second year extended limited parts and labor warranty.

ACCESSORIES

- Stainless steel rear motor enclosure.
- Extra oven rack(s).
- Rack hanger(s).
- Stainless steel drip pan.
- Stainless steel open stand with adjustable rack supports, stainless steel shelf and choice of adjustable feet or casters.
- Down draft flue diverter for direct vent connection.
- Heat Shields for oven sides.

VULCAN

a division of ITW Food Equipment Group LLC

P.O. Box 696 ☎ Louisville, KY 40201 ☎ Toll-free: 1-800-814-2028 ☎ Local: 502-778-2791 ☎ Quote & Order Fax: 1-800-444-0602



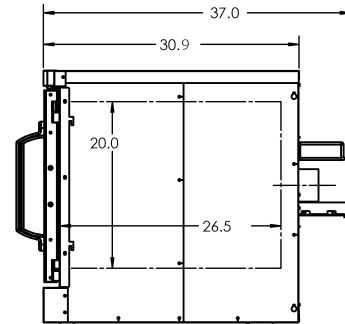
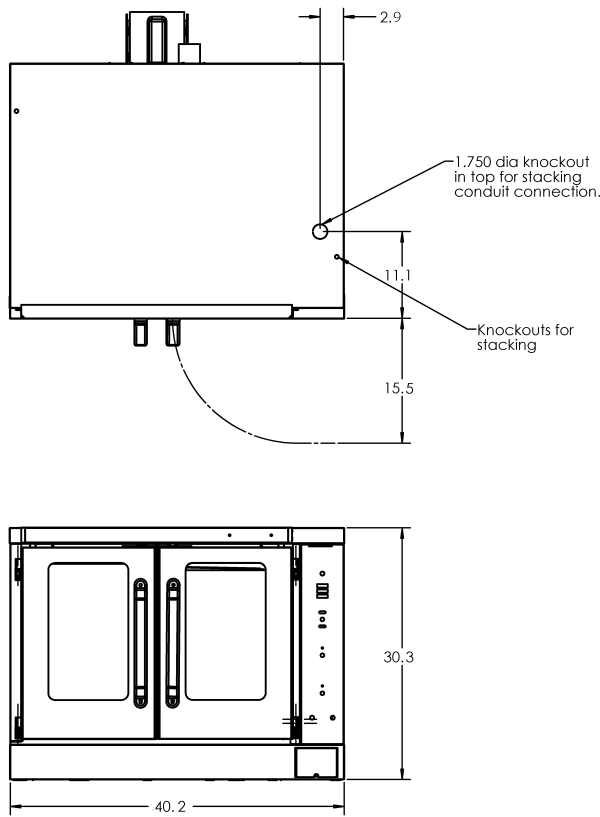
VC3E SERIES
SINGLE DECK ELECTRIC CONVECTION OVENS

OPTIONAL VOLTAGES

480 volt, 60 Hz, 3 phase.

CLEARANCES

	Combustible	Non-Combustible
Rear	2"	2"
Right Side	4"	4"
Left Side	1"	1"



MODEL NO.	TOTAL CONN. KW	3 PHASE LOAD KW PER PHASE		NOMINAL AMPS PER LINE WIRE									1 PHASE		WEIGHT							
				3 PHASE											208 V		240 V		WITH SKID & PACKAGING		WITHOUT SKID & PACKAGING	
				208 VOLT			240 VOLT			480 VOLT												
				X-Y	Y-Z	X-Z	X	Y	Z	X	Y	Z										
VC3E	12.5	4	4	4.5	35	33	35	33	29	33	14	15	15	60	52	337	153	286	130			



a division of ITW Food Equipment Group LLC

P.O. Box 696 ☒ Louisville, KY 40201 ☒ Toll-free: 1-800-814-2028 ☒ Local: 502-778-2791 ☒ Quote & Order Fax: 1-800-444-0602