

# VICTORY<sup>®</sup>

## ULTRASPEC

PROJECT: \_\_\_\_\_

ITEM # \_\_\_\_\_ QTY: \_\_\_\_\_

MODEL # \_\_\_\_\_

AIA # \_\_\_\_\_ SIS # \_\_\_\_\_

# SOLID DOOR REACH-IN REFRIGERATOR

## RS-3D-S1-HC



### EXCLUSIVE WARRANTY

- ▶ 7 Year Parts, Labor and Compressor
- ▶ Exclusive 2 Year Warranty On Magnetic Door Gaskets
- ▶ Lifetime Warranty On Handles & Hinges (parts only)

### CABINET CONSTRUCTION

- Stainless Steel Exterior And Interior
- Stay-Open Door Feature For Easy Product Loading
- 20 Gauge Stainless Steel Door
- Magnetic Door Switch Automatically Activates Interior LED Light
- Heavy-Duty Cylinder Locks
- Stainless Steel Interior Door Liner
- One Piece, Snap-In Magnetic Door Gaskets
- Low Profile Vertical Door Handles
- Hinged Front Shroud
- Energy Saving Thermal Breaker
- Stainless Steel Breaker Caps
- 9 Silver Freeze Wire Shelves
- 6" High Adjustable Stainless Steel Legs
- 8' Cord And Plug (see electrical data for details)

### FEATURES

- Full Electronic Control With Touchpoint Interface
- Variable Speed Compressor Technology
- Expansion Valve Technology
- Manager's Lockout Feature
- Anti-Condensate Perimeter Heater

### REFRIGERATION

- Refrigeration System Uses R-290 Refrigerant To Comply With All Environmental Concerns
- Hot Gas Condensate Evaporator
- Adaptive Defrost For Reduced Energy Consumption And More Consistent Product Temperatures
- Epoxy Coated Evaporator Coil, Located Out Of The Food Zone
- Refrigerator Capable Of Maintaining Product Temperature 36°F To 38°F



Please Verify Qualifying Units By Visiting:  
[www.energystar.gov/cfs](http://www.energystar.gov/cfs)

### OPTIONS & ACCESSORIES

- |   |                                     |  |
|---|-------------------------------------|--|
| • Stainless Steel Case Back                 | • Additional Shelves                | • FlexTemp Models Maintain Between 28°F And 38°F           |
| • Stainless Steel Kick Plate                | • Heat Shield (left, right)         | • Correctional Package                                     |
| • Exterior Door Laminate                    | • Tray Slides (type A & A/C)        | • Remote Models* (6" legs only)                            |
| • Door Swing Orientation (at time of order) | • 3", 6" Casters Or 6" Seismic Legs | (refrigerant must be specified at time of order, see note) |

3779 Champion Blvd, Winston-Salem, NC 27105

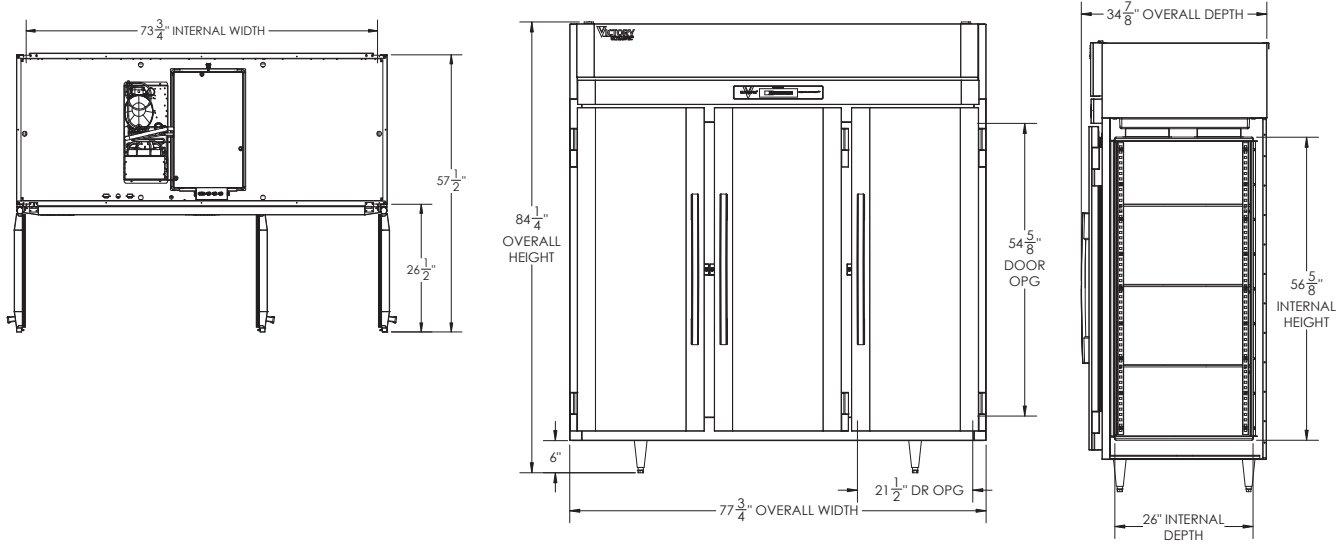
ph: (888) 845-9800 | fax: (800) 253-5168

Sales@VictoryRefrigeration.com | VictoryRefrigeration.com

Rev. 7/2/25 Printed in U.S.A.

APPROVAL: \_\_\_\_\_ DATE: \_\_\_\_\_

SOLID DOOR REACH-IN REFRIGERATOR



We reserve the right to change specifications and product design without notice. Such revisions do not entitle the buyer to corresponding changes, improvements, additions or replacements for previously purchased equipment. Dimensional tolerances +/- .14". Metric dimensions (MM)

12" Top clearance is required

| CHARACTERISTICS              |                   | ELECTRICAL DATA                |                     | SHIPPING DETAILS   |         |
|------------------------------|-------------------|--------------------------------|---------------------|--|---------|
| Net Capacity (cubic ft.)     | 68.34             | Cabinet Voltage**              | 115/60/1            | Height   | 86"     |
| Width, Overall (in.)         | 77 3/4"           | Total Amperes                  | 8.5                 | Width  | 87"     |
| Depth, Overall (with handle) | 34 7/8"           | NEMA Plug (8' cord)            | 5-15P               | Depth  | 45"     |
| Height Overall (6" legs)     | 84 1/4"           | REFRIGERATION DATA             |                     | Crated Weight  | 774 lbs |
| Depth, Door Open 90°         | 57 1/2"           | Condensing Unit Size, HP       | 3/4                 | *NOTE: Remote units are field wired and come with 6" legs. Refrigerant must be specified at time of order. |         |
| Door Opening (in.)           | 21 1/2" x 54 5/8" | Refrigerant                    | R-290               |  |         |
| No. Of Doors/Shelves         | 3/9               | Capacity (BTU/HR) (100°F/20°F) | 4950                |  |         |
|                              |                   | Heat Rejection (BTU/HR)        | 7425                |  |         |
|                              |                   | Charge (lbs/grams/ounces)      | 0.2866 / 130 / 4.59 |  |         |

\*\* NOTE: This unit utilizes variable speed compressor technology. The compressor can experience nuisance tripping on Class A GFCI outlets which have a trip limit of 4 mA to 6 mA. To avoid this issue in a location that requires GFCI circuit protection, Victory recommends using either an Eaton, SGF20, or HUBBELL Model Number GFRST83W 20A Heavy Duty Hospital Grade Self-Test GFCI Receptacle.

3779 Champion Blvd, Winston-Salem, NC 27105 | ph: (888) 845-9800 | fax: (800) 253-5168

Sales@VictoryRefrigeration.com | VictoryRefrigeration.com

Rev. 7/2/25 Printed in U.S.A.