



PROJECT: \_\_\_\_\_  
 ITEM # \_\_\_\_\_ QTY: \_\_\_\_\_  
 MODEL # \_\_\_\_\_  
 AIA # \_\_\_\_\_ SIS # \_\_\_\_\_

PIZZA PREP TABLE WITH DRAWERS

# PIZZA PREP TABLE WITH DRAWERS

## VPPD67HC-3



### EXCLUSIVE WARRANTY

- ▶ 7 Year Parts, Labor and Compressor
- ▶ Exclusive 2 Year Warranty On Magnetic Door Gaskets
- ▶ Lifetime Warranty On Handles & Hinges (parts only)



### CABINET CONSTRUCTION

- Stainless Steel Exterior (galvanized back and bottom)
- Aluminum Interior
- Hinged, Insulated, Removable Flat Lift-Up Lid
- One-Piece, Snap-In Magnetic Door/Drawer Gaskets
- Heavy-Duty Aluminum Pan Liner
- 8' Cord And Plug (see electrical data for details)

### REFRIGERATION

- Refrigeration System Uses R-290 Refrigerant To Comply With All Environmental Concerns
- Side Mounted Refrigeration System For Serviceability
- Adaptive Defrost For Reduced Energy Consumption And More Consistent Product Temperatures
- Epoxy Coated Evaporator Coil
- Refrigerator Capable Of Maintaining Product Temperature 36°F To 38°F

### FEATURES

- Full Electronic Control
- Chrome Lift Off Hinges
- Low Profile Horizontal Door/Drawer Handles
- Epoxy Coated Shelves (2 per section)
- Stay-Open Door/Drawer Feature For Easy Product Loading
- Heavy-Duty Stainless Steel Drawer Frames
- Heavy-Duty Pan Divider Supports Supplied
- Locking Divider Bars (drawers only)
- Top Accommodates 6" Deep Food Service Pans (pans not included)
- Accommodates 6" Deep Full Size Food Service Pans In Both Upper And Lower Drawers (pans not included)
- Heavy-Duty, Telescoping Drawer Slides With Locking Mechanism
- 275 lbs Drawer Load Rating (per drawer)
- Removable 19" Wide Cutting Board
- 3" Casters Two With Locks



Please Verify Qualifying Units By Visiting:  
[www.energystar.gov/cfs](http://www.energystar.gov/cfs)

### OPTIONS & ACCESSORIES

- |                            |  |  |
|----------------------------|--|--|
| • Stainless Steel Interior | • Shelf Clips                            | • Compressor On Left (specify at time of order)                            |
| • Stainless Steel Back     | • Single & Double Overshelf Kit          | • Remote Models* (6" legs only)  |
| • Exterior Door Laminate   | • Bun Tray Rack (per door)               | (refrigerant must be specified at time of order, see note on back on page) |
| • Door/Drawer Locks        | • Tray Slide Kit                         |  |
| • Additional Shelves       | • 6" Casters, 6" Legs Or 6" Seismic Legs |  |

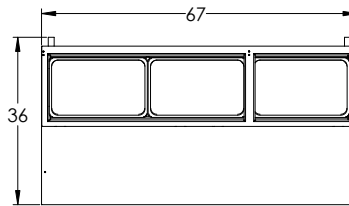
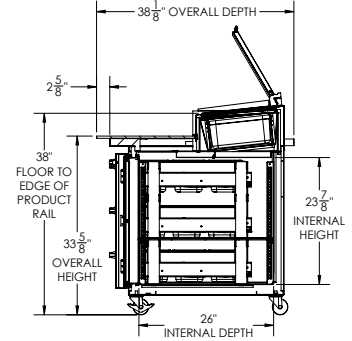
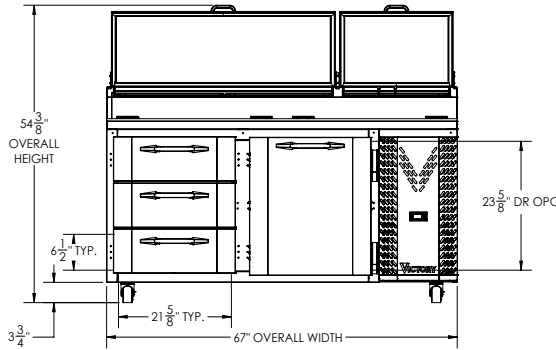
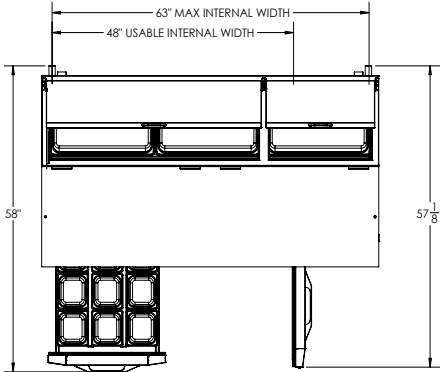
3779 Champion Blvd, Winston-Salem, NC 27105

ph: (888) 845-9800 | fax: (800) 253-5168

Sales@VictoryRefrigeration.com | VictoryRefrigeration.com

Rev. 6/16/25 Printed in U.S.A.

APPROVAL: \_\_\_\_\_ DATE: \_\_\_\_\_



Top Configuration

We reserve the right to change specifications and product design without notice. Such revisions do not entitle the buyer to corresponding changes, improvements, additions or replacements for previously purchased equipment. Dimensional tolerances +/- 1/4". Metric dimensions (MM)

2" Bottom & 2" Rear clearance is required

CHARACTERISTICS		ELECTRICAL DATA		SHIPPING DETAILS	
Net Capacity (cubic ft.)	20.68	Cabinet Voltage	115/60/1	Height	49"
Width, Overall (in.)	67"	Total Amperes	4.5	Width	70"
Depth, Overall (with cutting board)	38 1/8"	NEMA Plug (8' cord)	5-15P	Depth	45"
Height Overall (with casters)	54 3/8"	REFRIGERATION DATA		Crated Weight	522 lbs
Depth, Drawer Extended	58"	Condensing Unit Size, HP	1/2	*NOTE: Remote units are field wired and come with 6" legs. Refrigerant must be specified at time of order.	
Depth, Door Open 90°	57 1/8"	Refrigerant	R-290		
Drawer Openings (in.)	21 5/8" x 6 1/2"	Capacity (BTU/HR) (100°F/20°F)	2940		
Door Opening (in.)	21 5/8" x 23 5/8"	Heat Rejection (BTU/HR)	4410		
No. Of Doors/Shelves/Drawers	1/2/3	Charge (lbs/grams/ounces)	0.231 / 105 / 3.70		

3779 Champion Blvd, Winston-Salem, NC 27105 | ph: (888) 845-9800 | fax: (800) 253-5168

Sales@VictoryRefrigeration.com | VictoryRefrigeration.com

Rev. 6/16/25 Printed in U.S.A.