



PROJECT: _____
 ITEM # _____ QTY: _____
 MODEL # _____
 AIA # _____ SIS # _____

SANDWICH PREP REFRIGERATOR WITH DRAWERS

SANDWICH PREP REFRIGERATOR WITH DRAWERS

VSPD72HC-18-6



EXCLUSIVE WARRANTY

- ▶ 7 Year Parts, Labor and Compressor
- ▶ Exclusive 2 Year Warranty On Magnetic Door Gaskets
- ▶ Lifetime Warranty On Handles & Hinges (parts only)



CABINET CONSTRUCTION

- Stainless Steel Exterior (galvanized back and bottom)
- Aluminum Interior
- Hinged, Insulated Flat Lift-Up Lid
- One-Piece, Snap-In Magnetic Drawer Gaskets
- Heavy-Duty Aluminum Pan Liner
- 8' Cord And Plug (see electrical data for details)

REFRIGERATION

- Refrigeration System Uses R-290 Refrigerant To Comply With All Environmental Concerns
- Rear Mounted Refrigeration System
- Adaptive Defrost For Reduced Energy Consumption And More Consistent Product Temperatures
- Epoxy Coated Evaporator Coil
- Refrigerator Capable Of Maintaining Product Temperature 36°F To 38°F

FEATURES

- Full Electronic Control
- Low Profile Horizontal Drawer Handles
- Stay-Open Drawer Feature For Easy Product Loading
- Top Accommodates Up To 6" Deep Food Service Pans With Locking Divider Bars
- Heavy-Duty Stainless Steel Drawer Frames
- Telescoping Drawers Slides With Locking Mechanism
- Accommodates 6" Deep Food Service Pans In Both Upper And Lower Drawers (pans not included)
- 10" Cutting Board Constructed Of White Polyethylene Plastic
- 6" Casters Two With Brakes



Please Verify Qualifying Units By Visiting:
www.energystar.gov/cfs

OPTIONS & ACCESSORIES

- | | | |
|----------------------------------|--|--|
| • Stainless Steel Interior | • 12" Cross Bar | • Correctional Package |
| • Stainless Steel Back | • Front Or Side Crumb Catcher | • Remote Models* (6" legs only) |
| • Drawer Locks | • Roll Top Cover | (refrigerant must be specified at time of order, see note on back on page) |
| • 18 Pan Cover | • 6" Legs Or 6" Seismic Legs | |
| • Garnish Rack (full & half pan) | • Casters: 3", Roller Kit, Low Profile | |

3779 Champion Blvd, Winston-Salem, NC 27105

ph: (888) 845-9800 | fax: (800) 253-5168

Sales@VictoryRefrigeration.com | VictoryRefrigeration.com

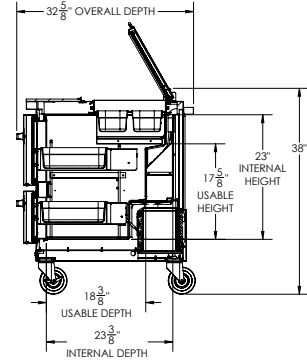
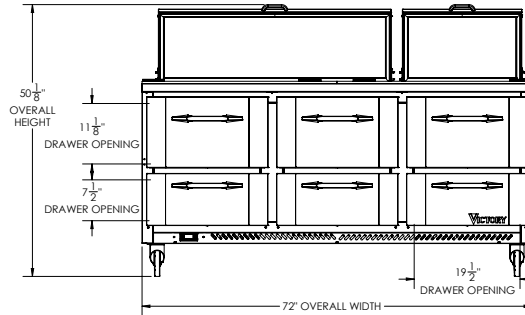
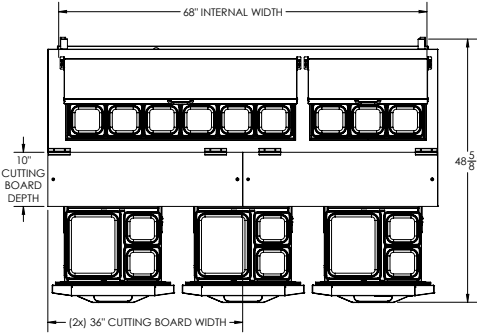
Rev. 6/23/25 Printed in U.S.A.

APPROVAL: _____ DATE: _____

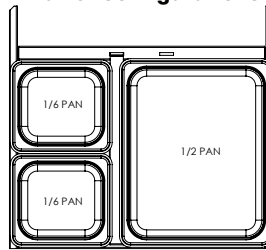


SANDWICH PREP REFRIGERATOR WITH DRAWERS

VSPD72HC-18-6



Drawer Configurations



We reserve the right to change specifications and product design without notice. Such revisions do not entitle the buyer to corresponding changes, improvements, additions or replacements for previously purchased equipment. Dimensional tolerances +/- 1/4". Metric dimensions (MM)

2" Bottom & 2" Rear clearance is required

CHARACTERISTICS		ELECTRICAL DATA		SHIPPING DETAILS	
Net Capacity (cubic ft.)	20.0	Cabinet Voltage	115/60/1	Height	49"
Width, Overall (in.)	72"	Total Amperes	5.4	Width	74"
Depth, Overall (with handle)	32 5/8"	NEMA Plug (8' cord)	5-15P	Depth	38"
Height Overall (6" casters)	50 1/8"	REFRIGERATION DATA		Crated Weight	518 lbs
Depth, Drawer Extended	48 5/8"	Condensing Unit Size, HP	1/3	*NOTE: Remote units are field wired and come with 6" legs. Refrigerant must be specified at time of order.	
Drawer Openings (in.)	19 1/2" x 7 1/2" 19 1/2" x 11 1/8"	Refrigerant*	R-290		
No. Of Drawers	6	Capacity (BTU/HR) (100°F/20°F)	2291		
No. Of Pans	18	Heat Rejection (BTU/HR)	3436.5		
		Charge (lbs/grams/ounces)	0.2095 / 95 / 3.35		

3779 Champion Blvd, Winston-Salem, NC 27105 | ph: (888) 845-9800 | fax: (800) 253-5168

Sales@VictoryRefrigeration.com | VictoryRefrigeration.com

Rev. 6/23/25 Printed in U.S.A.

