



Project:

Item Number:

Quantity:

CAYENNE® 15LB MEDIUM-DUTY ELECTRIC FRYERS



40710

Includes night cover(s)

Cayenne® Medium-Duty Electric Fryers

DESCRIPTION

Vollrath Cayenne® medium-duty fryers are designed to create a delicious variety of crisp fried food with minimal fuss. Delight your customers with french fries, chicken, seafood, and more.

MODELS

40709 FFA8115 Countertop Fryer with Drain, 15 lb.

40710 FFA8130 Dual Countertop Fryer with Drain, 30 lb.

FEATURES

- Ideal for restaurants, canteens, and fast food outlets
- Dual unit provides increased volume and separation of food types to prevent flavor transfer from oil
- 3000 watt elements provide quick heat-up and temperature recovery time between loads
- Fully-welded oil tank with safety interlocked drainage valve for easy drainage and cleaning
- Minimal footprint to accommodate tight counter spaces
- Thermostatically controlled to 375° F (190° C)
- Automatic thermal overload shutoff at 390° F (199° C) for safety
- Internal micro-switch disconnects power when element box is removed
- Nickel-plated steel wire basket with cool-touch handle
- "Power On" indicator light
- Designed with cold zone to help keep oil fresh longer
- Suitable for frozen product with excellent recovery time
- Non-skid rubber feet prevent slipping
- Includes night cover(s)
- Ships with two wire baskets per unit
- Dual unit features removable element box assemblies for easy cleaning and versatility. Each box is wired separately and with its own 5 ft. (1.5 m) cord and plug.

WARRANTY: All models shown come with Vollrath's standard warranty against defects in materials and workmanship. For full warranty details, please refer to the Vollrath Equipment and Smallwares Catalog.

Agency Listings



Due to continued product improvement, please consult www.vollrathco.com for current product specifications.

Approvals	Date



www.vollrathco.com

The Vollrath Company, L.L.C.
1236 North 18th Street
Sheboygan, WI 53081-3201 U.S.A.
Customer Service: 800.628.0830
Canada Customer Service: 800.695.8560
Main Fax: 800.752.5620 or 920.459.6573

Technical Services: 800.628.0832
Technical Services Fax: 920.459.5462

Cayenne® 15lb Medium-Duty Electric Fryers

The Vollrath Company, L.L.C.

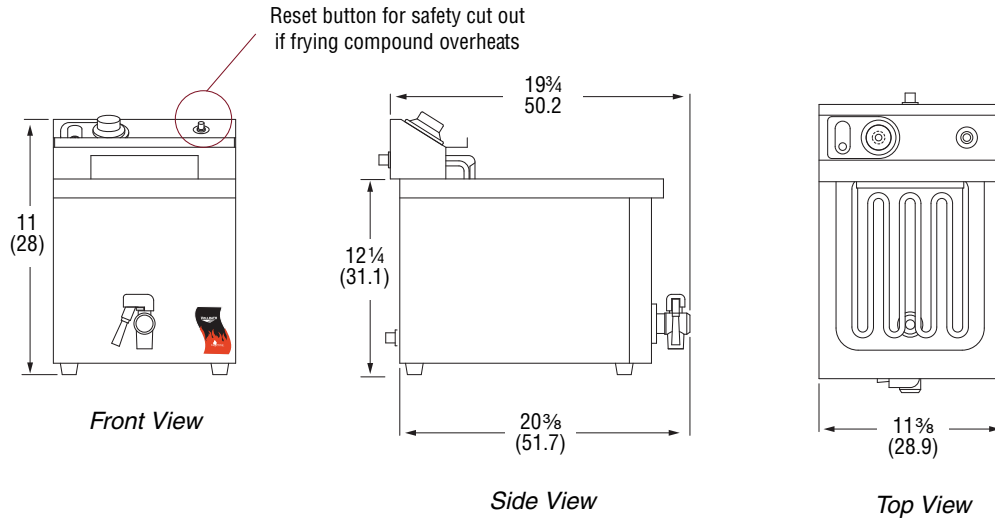
CAYENNE® 15LB MEDIUM-DUTY ELECTRIC FRYERS

MODELS	40709	FFA8115	Countertop Fryer with Drain, 15 lb.
	40710	FFA8130	Dual Countertop Fryer with Drain, 30 lb.

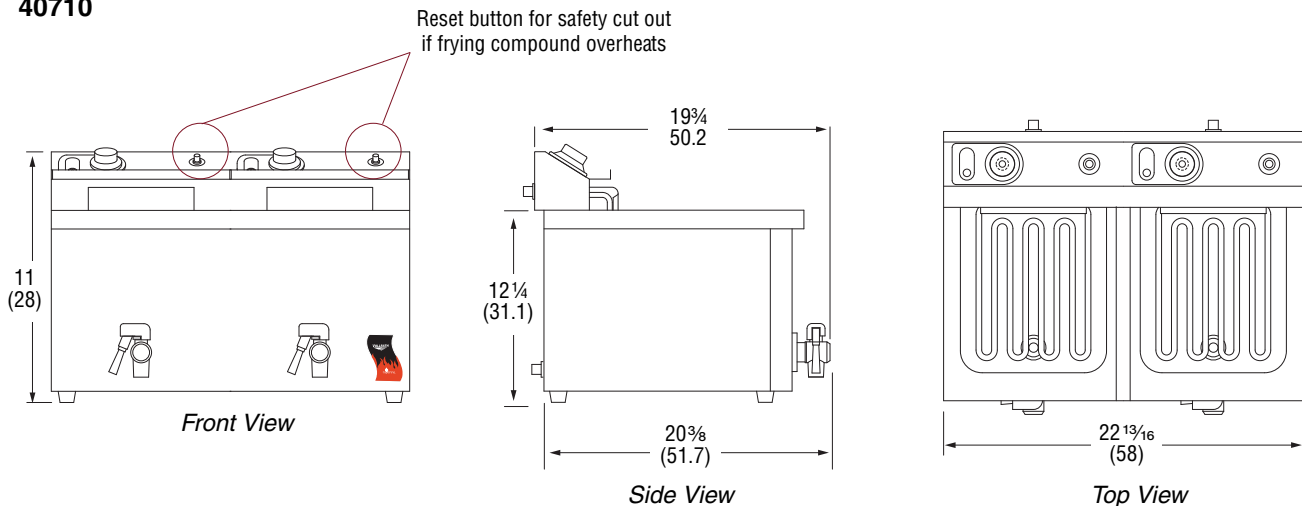
DIMENSIONS

Dimensions shown in inches (cm).

40709



40710

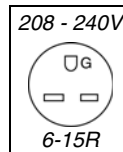


SPECIFICATIONS

Item	Number of Wells	Watts	Volts	Amps	Ship Weight Lb (Kg)	Plug
40709	1	3000	220	13.6	25 (11.3)	6-15P
40710	2	3000 per well	220	13.6 per well	46 (20.9)	6-15P*

*Dual unit requires two receptacles.

Receptacle



www.vollrathco.com

The Vollrath Company, L.L.C.
 1236 North 18th Street
 Sheboygan, WI 53081-3201 U.S.A.
 Customer Service: 800.628.0830
 Canada Customer Service: 800.695.8560
 Main Fax: 800.752.5620 or 920.459.6573

Technical Services: 800.628.0832
 Technical Services Fax: 920.459.5462