



Setting the Standard™

cayenne HEATED SHELVES

Exclusive Energy Saving Design

Why Heat This....



PEAK TIMES
(USES FRONT & BACK ZONES)



When you only need this?



OFF PEAK TIMES
(USES FRONT ZONE ONLY)

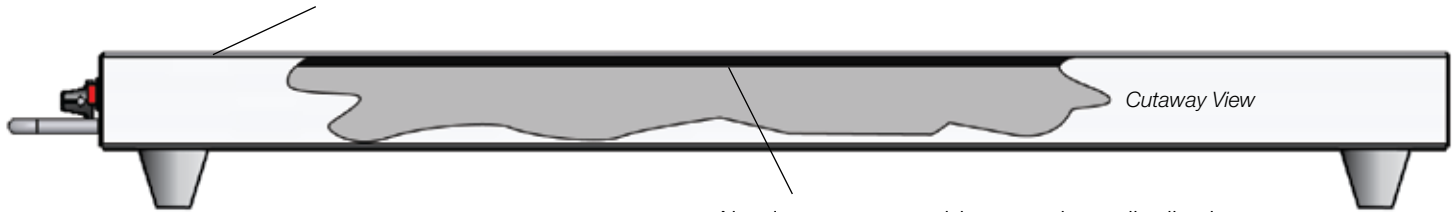


- **33% energy savings** during off peak times by only heating what is needed
- Thermostatically controlled unit maintains even and accurate temperature
- Stainless steel outer construction provides years of dependable service
- Smooth top with welded corners provides an easy to clean surface free from grease and dirt traps
- Aluminum core provides even heat distribution



CAYENNE HEATED SHELVES USE THE *best of both worlds*

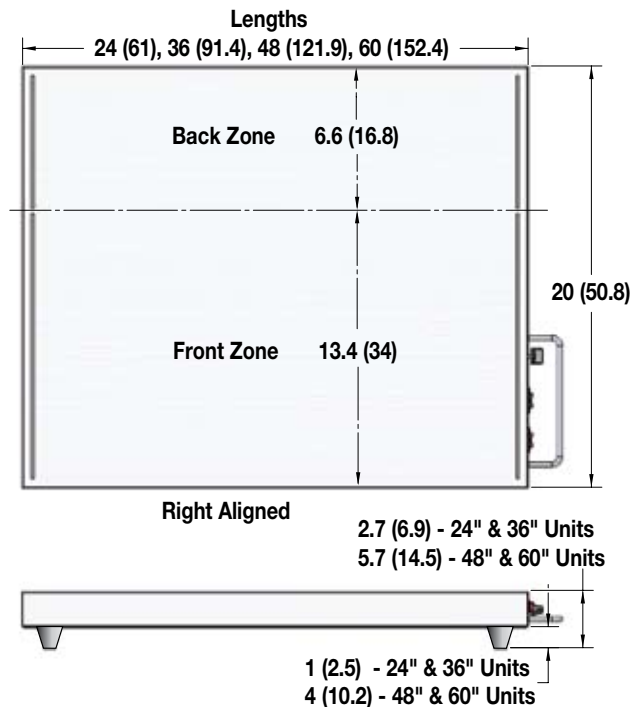
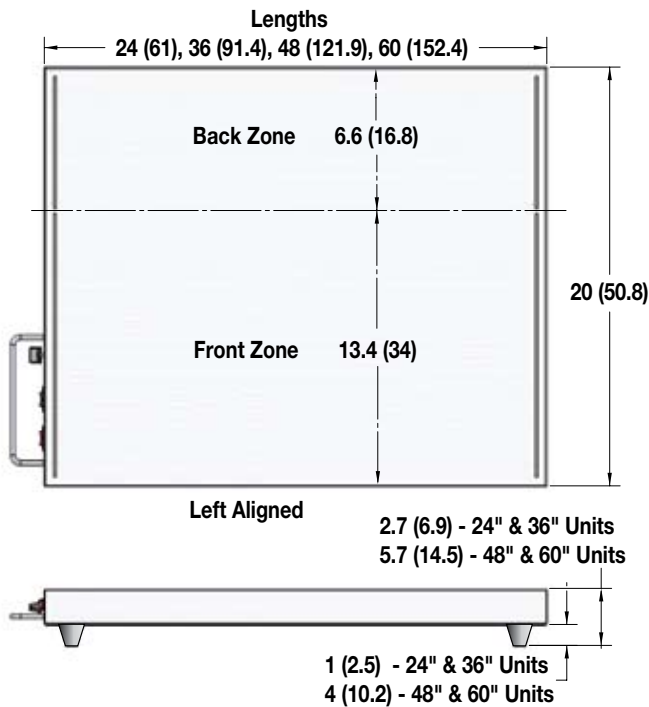
Stainless steel top provides years of service



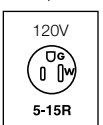
Cutaway View

Aluminum core provides even heat distribution

Approximate Dimensions - Shown in inches (cm)



Receptacle



LEFT ALIGNED ITEMS

STOCKED ITEMS						
ITEM	LENGTH IN (CM)	VOLTAGE	WATTS	AMPS	PLUG	LIST PRICE
7277024	24 (61)	120V	350	2.9	5-15	\$648.00
7277036	36 (91.4)	120V	535	4.5	5-15	\$765.00
7277048	48 (121.9)	120V	720	6.0	5-15	\$888.00
7277060	60 (152.4)	120V	905	7.5	5-15	\$995.00

RIGHT ALIGNED ITEMS

SPECIAL ORDER - 3 DAY LEAD TIME						
ITEM	LENGTH IN (CM)	VOLTAGE	WATTS	AMPS	PLUG	LIST PRICE
7277124	24 (61)	120V	350	2.9	5-15	\$648.00
7277136	36 (91.4)	120V	535	4.5	5-15	\$765.00
7277148	48 (121.9)	120V	720	6.0	5-15	\$888.00
7277160	60 (152.4)	120V	905	7.5	5-15	\$995.00