



Project:

Item Number:

Quantity:

**LIGHT AND MEDIUM DUTY SLICERS**



40803 Light-Duty Slicer

**MODELS**

40802 SLR7009/N 9" Light-Duty Electric Slicer

40803 SLR7010/N 10" Light-Duty Electric Slicer

40804 SLR7312/N 12" Medium-Duty Electric Slicer

**FEATURES**

- Space-saver design with smaller footprint for tight areas
- Ideal for casual slicing needs such as for coffee shops and small restaurants
- Exclusive non-stick coating makes for easy clean up after slicing products
- 5 ft. (1.5 m) cord with plug

**DESCRIPTION**

From small coffee shops to small restaurants, or soft vegetables to deli meats, Vollrath offers the perfect slicer to fit your needs. Light and medium duty slicers feature a space-saver design with a smaller footprint for tight areas. They are ideal for casual slicing needs such as for coffee shops and small restaurants.

**WARRANTY:** All models shown come with Vollrath's standard warranty against defects in materials and workmanship. For full warranty details, please refer to the Vollrath Equipment and Smallwares Catalog.

**Agency Listings**



Due to continued product improvement, please consult [www.vollrathco.com](http://www.vollrathco.com) for current product specifications.

Approvals	Date



Setting the Standard™

[www.vollrathco.com](http://www.vollrathco.com)

The Vollrath Company, L.L.C.  
1236 North 18th Street  
Sheboygan, WI 53081-3201 U.S.A.  
Customer Service: 800.628.0830  
Canada Customer Service: 800.695.8560  
Main Fax: 800.752.5620 or 920.459.6573

Technical Services: 800.628.0832  
Technical Services Fax: 920.459.5462

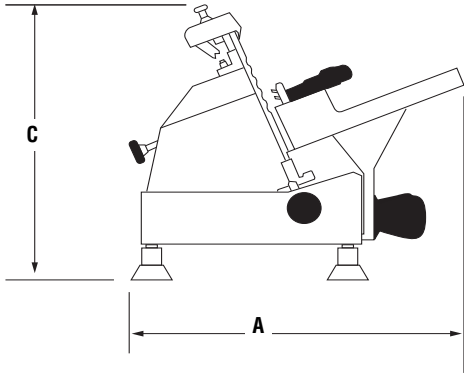
## LIGHT AND MEDIUM DUTY SLICERS

- MODELS** 40802 SLR7009/N 9" Light-Duty Electric Slicer  
 40803 SLR7010/N 10" Light-Duty Electric Slicer  
 40804 SLR7312/N 12" Medium-Duty Electric Slicer

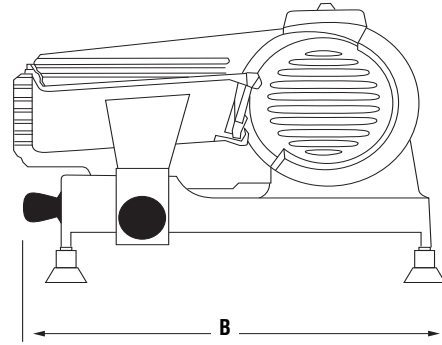
### DIMENSIONS

Dimensions shown in inches (cm).

#### 40802 and 40803

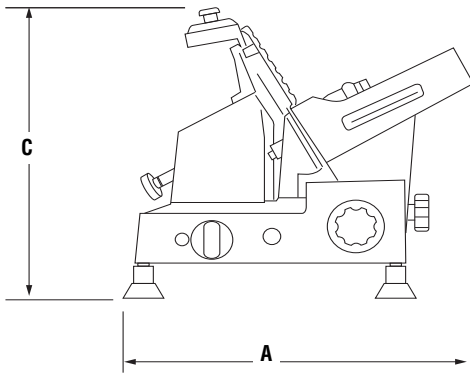


Front View

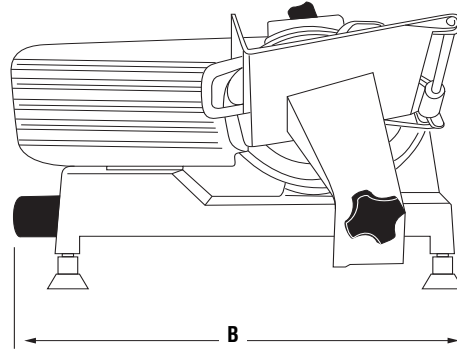


Side View

#### 40804



Front View

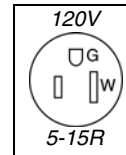


Side View

### SPECIFICATIONS

Item	Dimensions			Drive	HP	Voltage	Amps	Plug
	(A) Width	(B) Depth	(C) Height					
40802	16 (40.6)	18 (45.7)	15 (38.1)	Belt	1/4	110	1.2	5-15P
40803	17 (43.2)	21 (53.3)	15 (38.1)	Belt	1/3	110	1.5	5-15P
40804	18 (45.7)	22 (55.9)	16 (40.6)	Belt	1/3	110	1.5	5-15P

#### Receptacle



www.vollrathco.com

The Vollrath Company, L.L.C.  
 1236 North 18th Street  
 Sheboygan, WI 53081-3201 U.S.A.  
 Customer Service: 800.628.0830  
 Canada Customer Service: 800.695.8560  
 Main Fax: 800.752.5620 or 920.459.6573

Technical Services: 800.628.0832  
 Technical Services Fax: 920.459.5462