



Project:

Item Number:

Quantity:

**ELECTRIC MEAT GRINDERS**



40743 Meat Grinder No. 12

**MODELS**

40743 Meat Grinder No. 12

40744 Meat Grinder No. 22

**FEATURES**

- Energy efficient motor and precision gear drive
- Excellent fit and finish with no sharp corners or seams
- Forward and reverse switch
- Reliable under the most demanding conditions
- Attractive, compact design suitable for any open kitchen or supermarket
- Supplied with 1/8 and 5/16 grinder plates
- Perfect for butchers, supermarkets, Asian restaurants, delis, and pizza shops
- Convenient top-mounted carrying handle
- All front pieces are dishwasher safe
- No. 12 unit features 1 HP motor to grind 264 lb of meat per hour
- No. 22 unit features 1.5 HP motor to grind 528 lb of meat per hour

**DESCRIPTION**

Vollrath's meat grinders are noted for their exceptional reliability and attractive, compact design. The grinder body, head and tray are constructed of stainless steel.

**Agency Listings**



Due to continued product improvement, please consult [www.vollrathco.com](http://www.vollrathco.com) for current product specifications.

**Approvals**

<b>Date:</b>
--------------



Setting the Standard™

[www.vollrathco.com](http://www.vollrathco.com)

The Vollrath Company, L.L.C.  
 1236 North 18th Street  
 Sheboygan, WI 53081-3201 U.S.A.  
 Customer Service: 800.628.0830  
 Canada Customer Service: 800.695.8560  
 Main Fax: 800.752.5620 or 920.459.6573

Technical Services: 800.628.0832  
 Technical Services Fax: 920.459.6573

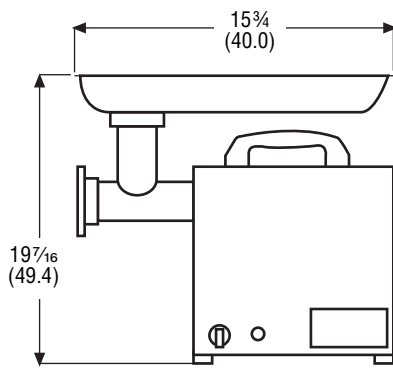
A City Discount

# ELECTRIC MEAT GRINDERS

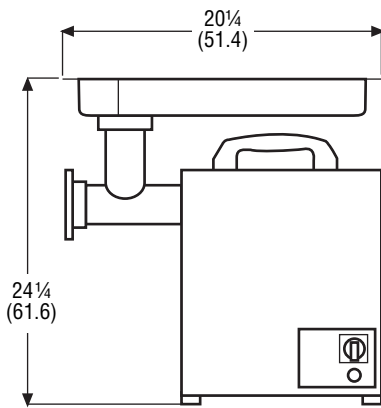
<b>MODELS</b>	<b>40743</b>	<b>Meat Grinder No. 12</b>
	<b>40744</b>	<b>Meat Grinder No. 22</b>

## DIMENSIONS

Dimensions shown in inches (cm).



40743 Side and Front Views

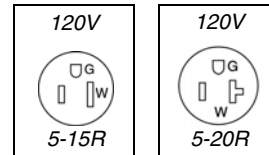


40744 Side and Front Views

## SPECIFICATIONS

Item	Output	HP	Voltage	Amps	Plug
40743	264 (lbs/hr)	1	110	8	5-15P
40744	528 (lbs/hr)	1.5	110	16	5-20P

### Receptacles



www.vollrathco.com

The Vollrath Company, L.L.C.  
 1236 North 18th Street  
 Sheboygan, WI 53081-3201 U.S.A.  
 Customer Service: 800.628.0830  
 Canada Customer Service: 800.695.8560  
 Main Fax: 800.752.5620 or 920.459.6573

Technical Services: 800.628.0832  
 Technical Services Fax: 920.459.6573