



Project:

Item Number:

Quantity:

## REFRIGERATED DISPLAY CABINETS



Drop-in Cabinet

Curved Cabinet

Cubed Cabinet

Refrigerated Display Cabinets

### DESCRIPTION

Vollrath's refrigerated drop-in and countertop display cabinets enhance the presentation of cold food items. Sliding rear doors enable easy access for selling, refilling, changing displays and end-of-day cleaning.

**WARRANTY:** All models shown come with Vollrath's standard warranty against defects in materials and workmanship. For full warranty details, please refer to the Vollrath Equipment and Smallwares Catalog.

### Agency Listings



Due to continued product improvement, please consult [www.vollrathco.com](http://www.vollrathco.com) for current product specifications.

### MODELS

- 40842 RDE7136 36" Drop-in Display Cabinet
- 40843 RDE7148 48" Drop-in Display Cabinet
- 40844 RDE7160 60" Drop-in Display Cabinet
- 40852 RDE8136 36" Curved Glass Display Cabinet
- 40853 RDE8148 48" Curved Glass Display Cabinet
- 40854 RDE8160 60" Curved Glass Display Cabinet
- 40862 RDE8236 36" Cubed Glass Display Cabinet
- 40863 RDE8248 48" Cubed Glass Display Cabinet
- 40864 RDE8260 60" Cubed Glass Display Cabinet

### FEATURES

- Inside lighting strips located both at the top of the cabinet and underneath the upper shelf create optimum food display throughout cabinet
- Dual fans circulate air throughout unit to ensure even temperature control
- Triple-glazed front glass gives added strength and insulation
- Drop-in and curved cabinets have two shelves. The cubed cabinet has 3 shelves.
- Lift-and-remove rear sliding doors for easy display changes and end of day cleaning
- Digitally controlled thermostat for precise and consistent settings
- 36° - 46° F (2° to 21° C) temperature range
- Drop-in models can also be used as freestanding countertop units
- 6 ft. (1.8 m) 120v cord and plug
- Note: these items must ship by truck

### CLEARANCE REQUIREMENTS

- Drop-in cabinets require a minimum of 6" (15.2 cm) of non-combustible countertop to support the unit and a minimum of 6" (15.2 cm) clearance on all sides of the drop-in for proper air circulation.
- Countertop cabinets require a minimum of 6" (15.2 cm) between the equipment and any surrounding walls. Surrounding walls must be made of non-combustible materials.

Approvals	Date



[www.vollrathco.com](http://www.vollrathco.com)

The Vollrath Company, L.L.C.  
1236 North 18th Street  
Sheboygan, WI 53081-3201 U.S.A.  
Customer Service: 800.628.0830  
Canada Customer Service: 800.695.8560  
Main Fax: 800.752.5620 or 920.459.6573

Technical Services: 800.628.0832  
Technical Services Fax: 920.459.5462

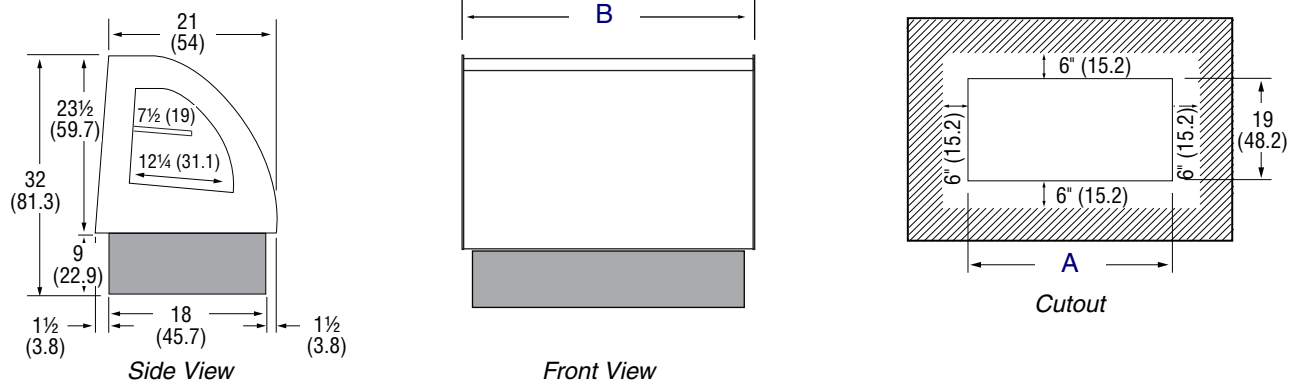
# REFRIGERATED DISPLAY CABINETS

MODELS	40842 RDE7136 36" Drop-in Display Cabinet	40854 RDE8160 60" Curved Glass Display Cabinet
	40843 RDE7148 48" Drop-in Display Cabinet	40862 RDE8236 36" Cubed Glass Display Cabinet
	40844 RDE7160 60" Drop-in Display Cabinet	40863 RDE8248 48" Cubed Glass Display Cabinet
	40852 RDE8136 36" Curved Glass Display Cabinet	40864 RDE8260 60" Cubed Glass Display Cabinet
	40853 RDE8148 48" Curved Glass Display Cabinet	

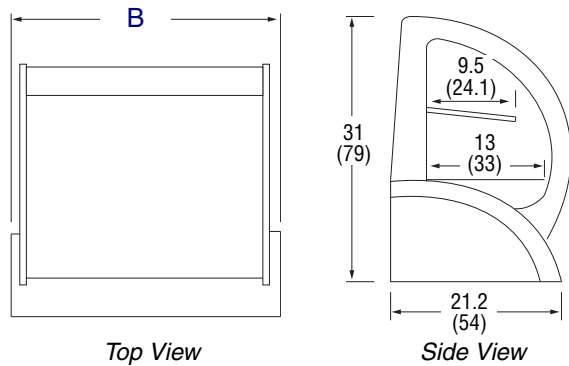
## DIMENSIONS

Dimensions shown in inches (cm).

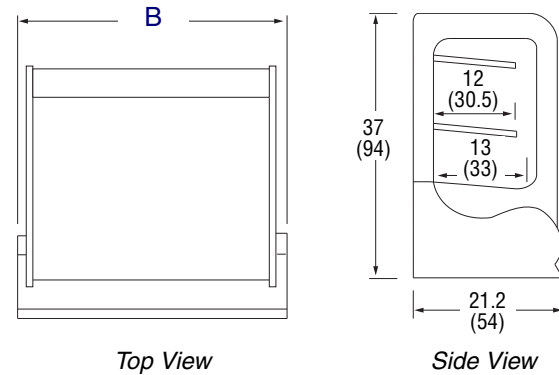
### Drop-in Display Cabinets



### Curved Display Cabinets



### Cubed Display Cabinets



## SPECIFICATIONS

Item	(A) Cutout Width	(B) Width	HP	Volts	Amps	Watts	Weight lb (kg)	Plug
40842	34 (86.3)	36 (91.4)	1/5	120V AC	3.4	400	210 (95.3)	5-15P
40843	45 (114.3)	48 (121.9)	1/4	120V AC	4.2	510	250 (113.4)	5-15P
40844	58 (147.3)	60 (152)	3/4	120V AC	4.4	530	274 (124.3)	5-15P
40852	-	35 7/16 (90)	1/5	120V AC	3.6	430	190 (86.2)	5-15P
40853	-	47 3/16 (119.9)	1/4	120V AC	4.6	550	235 (106.6)	5-15P
40854	-	59 (149.9)	1/4	120V AC	4.9	585	271 (122.9)	5-15P
40862	-	35 7/16 (90)	1/4	120V AC	3.9	470	230 (104.3)	5-15P
40863	-	47 3/16 (119.9)	3/8	120V AC	5.0	600	281 (127.5)	5-15P
40864	-	59 (149.9)	3/8	120V AC	6.0	725	322 (146)	5-15P

### Receptacle

