

**COMBI****VULCAN****V3MRO  
VULCAN REVERSE OSMOSIS FILTRATION SYSTEM****Model V3MRO-2 Shown****SPECIFICATIONS**

The Vulcan Reverse Osmosis Water Filtration System, by 3M™, is designed to reduce many of the water contaminants that can cause scale build-up and corrosion. Production capacity of 100 gpd (V3MRO-1) or 200 gpd (V3MRO-2) with integrated pump & storage tank. For common treatment and reduction of sediment, chloramines, chlorine, scale, hardness & TDS, via carbon and membrane filters. Includes: steel mounting bracket, wall-mount capable, quick disconnect plumbing, cleaning bypass assembly, & connection fittings for standard 3/4" water lines of Vulcan Combi Oven/Steamers. Incoming water pressure and temperature to filtration: Minimum 60 psi/maximum 125psi, minimum 40°F/maximum 100°F.

Minimum 60 psi (413.6 kPa) feedwater pressure required.

RO production rates listed are at a water pressure and temperature of 50 PSI and 77°F producing water at atmosphere.

- V3MRO-1** Reverse Osmosis Filtration System
- V3MRO-2** Reverse Osmosis Filtration System

**STANDARD FEATURES**

- Cartridge interconnect system allows for quick and easy cartridge change-outs. No spills, no mess.
- Integrated pump requires no power; operates on incoming water pressure.
- Sanitary Quick Change (SQC) encapsulated cartridges reduce media contamination during change-outs.
- Compact design allows for installation in tight areas.
- System incorporates reverse osmosis technology.
- System incorporates non-electric pump.
- System contains integrated pre-filtration for the reduction of sediment, chloramines and chlorine taste and odor.
- RO membrane is a thin film composite (TFC) type.
- System is wall mountable with a steel bracket design.
- System includes an integrated water storage tank.
- System minimum incoming water pressure of 60 psi (414 kPa) and a maximum of 125 psi (689 kPa) + 15%.
- System minimum incoming water temperature of 40°F (4.4°C) and a maximum of 100°F (37.8°C).
- System incoming water pressure must be between 60 and 100 psig or external pump is required.
- System wetted materials are FDA CFR-21 and/or NSF compliant.
- Includes connection fittings for standard 3/4" water lines of a Vulcan Combi.

**VULCAN**

a division of ITW Food Equipment Group LLC

P.O. Box 696 ■ Louisville, KY 40201 ■ Toll-free: 1-800-814-2028 ■ Local: 502-778-2791 ■ Quote &amp; Order Fax: 1-800-444-0602



## V3MRO VULCAN REVERSE OSMOSIS FILTRATION SYSTEM

### IMPORTANT: INSTALLATION TIPS

#### ▲ WARNING

Read entire manual. Failure to follow all guides and rules could cause personal injury or property damage.

- Check with your local public works department for plumbing codes. You must follow their guidelines as you install the Water Filtration system.
- Your Water Filtration system will withstand up to 125 pounds per square inch (psi) water pressure. If your water supply pressure is higher than 80 psi, install a pressure reducing valve before installing the Water Filtration system.

To reduce the risk associated with the ingestion of contaminants:

- DO NOT use with water that is microbiologically unsafe or of unknown quality without adequate disinfection before or after the system.

#### NOTICE

To reduce the risk associated with water leakage or flooding:

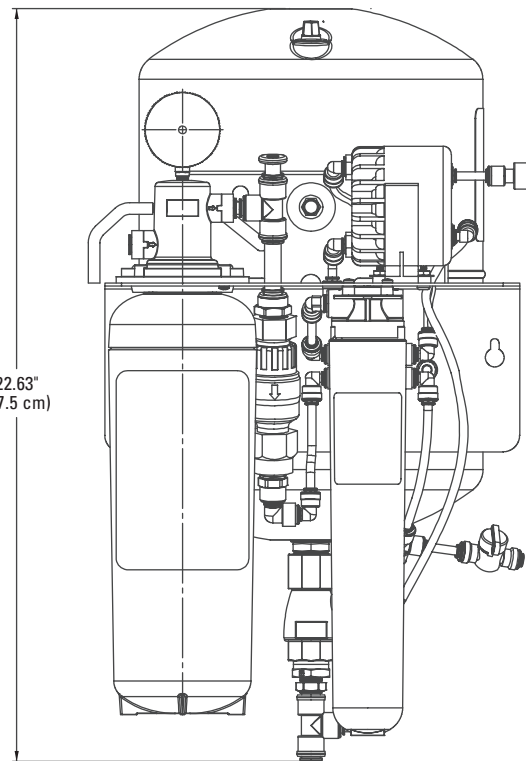
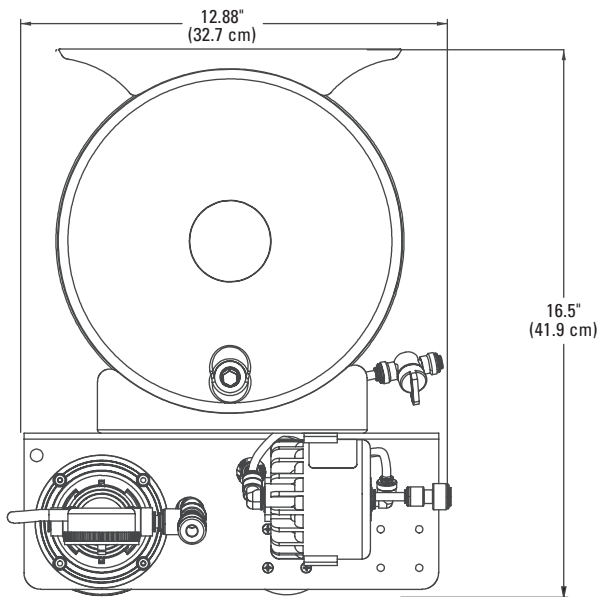
- Read and follow Use Instructions before installation and use of this system.
- Change the disposable pre-filter at the recommended interval; the disposable pre-filter MUST be replaced every 12 months or sooner.
- Change the disposable filter RO membrane at the recommended interval; the disposable RO membrane MUST be replaced every 24 months or sooner.
- Failure to replace the disposable pre-filter and RO membrane at recommended intervals may lead to reduced filter performance and failure of the filter, causing property damage from water leakage or flooding.

### LIMITED WARRANTY

**Warranty, Limited Remedy, and Disclaimer:** Many factors beyond 3M's control and uniquely within user's knowledge and control can affect the use and performance of a 3M product in a particular application. User is solely responsible for evaluating the 3M product and determining whether it is fit for a particular purpose and suitable for user's method of application. Unless an additional warranty is specifically stated on the applicable 3M product packaging or product literature, 3M warrants that each 3M product meets the applicable 3M product specification at the time 3M ships the product. 3M MAKES NO OTHER WARRANTIES OR CONDITIONS, EXPRESS OR IMPLIED, INCLUDING, BUT NOT LIMITED TO, ANY IMPLIED WARRANTY OR CONDITION OF MER-

CHANTABILITY OR FITNESS FOR A PARTICULAR PURPOSE OR ANY IMPLIED WARRANTY OR CONDITION ARISING OUT OF A COURSE OF DEALING, CUSTOM OR USAGE OF TRADE. If the 3M product does not conform to this warranty, then the sole and exclusive remedy is, at 3M's option, replacement of the 3M product or refund of the purchase price.

**Limitation of Liability:** Except where prohibited by law, 3M will not be liable for any loss or damage arising from the 3M product, whether direct, indirect, special, incidental or consequential, regardless of the legal theory asserted, including warranty, contract, negligence or strict liability.



V3MRO-1 Shown



a division of ITW Food Equipment Group LLC

P.O. Box 696 ■ Louisville, KY 40201 ■ Toll-free: 1-800-814-2028 ■ Local: 502-778-2791 ■ Quote & Order Fax: 1-800-444-0602

**NOTE:** In line with its policy to continually improve its products, Vulcan reserves the right to change materials and specifications without notice.