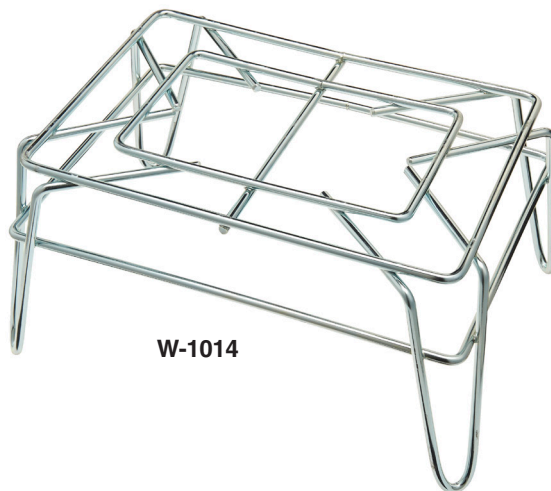




Merchandise Display Stands Double & Single

- Material: All welded, plated, heavy duty, steel wire
- Maximizes product visibility and enhances customer impulse buying.
- Elevates products off the ground allowing the area underneath to be cleaned for more sanitary conditions.
- Nests for storage and freight savings.



W-1014

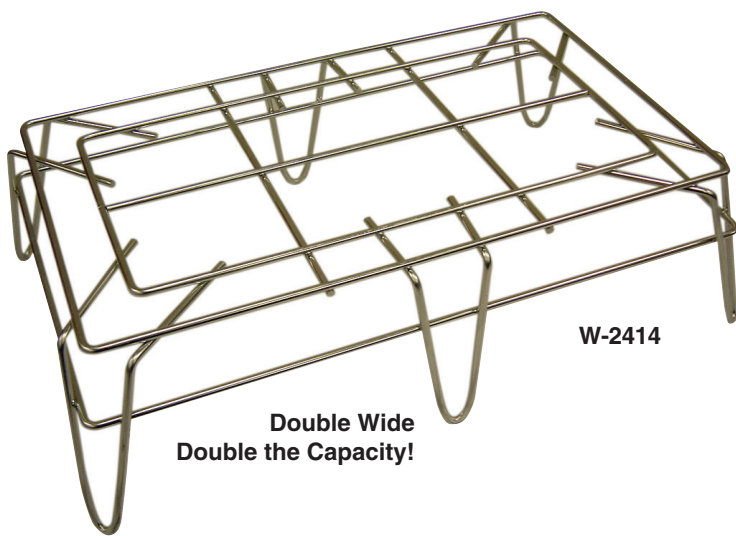
Highlights products and merchandise in aisle.

Multiple units can be used the length of the aisle to increase impulse sales.

Model Number	Order#	Overall Dimensions						Capacity		Approx. Ship Wt	
		Width		Length		Height					
		(in)	(mm)	(in)	(mm)	(in)	(mm)	(lb)	(kg)	(lb)	(kg)
W-1014	108231	10	254	14	356	8	203	500	227	5	2
W-2414	624366	14	356	24	610	8	203	850	386	8	4

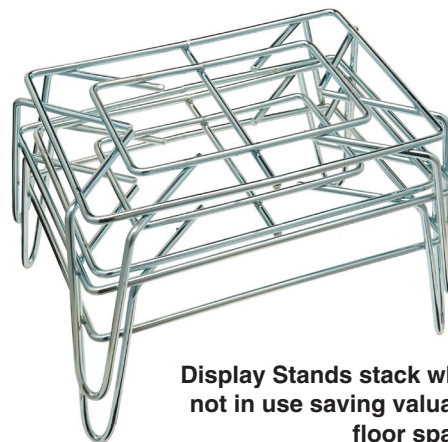
Freight Class: 125

Items highlighted in red are Express Ship!
See page 148 for details.



W-2414

**Double Wide
Double the Capacity!**



Display Stands stack when not in use saving valuable floor space!

UPS and the UPS brandmark are trademarks that are used with permission by the owner, United Parcel Service of America, Inc. All rights reserved.