



55-Cup Stainless Steel Coffee Urn

WCU550

Features

- Brushed stainless steel finish & internal components
- 25-55 cup capacity
- 55 cups brew in 30 minutes or less
- Dual heater system: One to brew, one to keep warm
- Removable sight glass for easy cleaning
- Ready and power on indicators
- 120 VAC, 60 Hz
- Limited One Year Warranty





55-Cup Coffee Urn WCU550

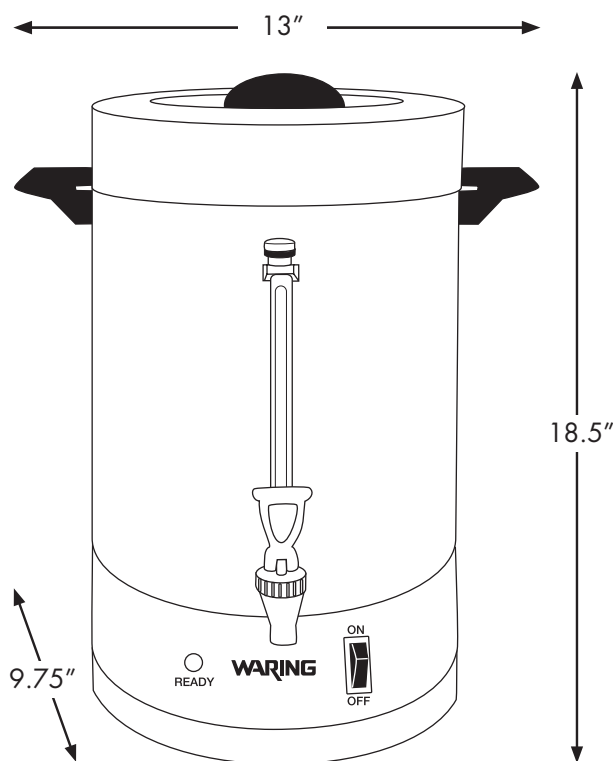


Specifications

| Item | Electrical | Listings | Dimensions (H" x W" x D") | Warranty |
|--------|----------------|----------|------------------------------|----------------|
| WCU550 | 120 VAC, 60 Hz | UL, NSF | 18.5" x 13" x 9.75" | Limited 1 Year |

Ordering Information

| Description | Catalog # | Std Pkg. | Ship Wt. (Lbs.) | Cubic Feet | UPC Code |
|-------------------|-----------|----------|--------------------|------------|--------------|
| 55-Cup Coffee Urn | WCU550 | 2 | 20.5 | 3.6 | 040072004360 |



©2006 Waring Commercial • 314 Ella T. Grasso Ave. • Torrington • Connecticut 06790
Tel. (800) 492-7464 • Fax (860) 496-9008 • www.waringproducts.com

06WC30108
PG-17425