



# WDH10

## 10-Tray Dehydrator



10-Tray Dehydrator



### MAIN FEATURES

- 10-tray commercial food dehydrator
- Stainless steel housing
- Clear-view glass door for monitoring dehydrating process
- 15-inch by 13.5-inch mesh racks
- Total dehydrating surface area of 14 square feet
- Rear-mounted airflow system
- Digital LED display with capacitive touch controls
- 5 memory stations for setting and storing unique programs
- Adjustable temperature range: 90°F–180°F (32°C–82°C)
- View temperature in °F or °C
- Set timer up to 40 hours
- Fruit leather sheet available
- Limited One Year Warranty

### ELECTRICAL

Voltage: 120

Frequency: 60Hz

Watts: 800

Amps: 6

Plug Type: NEMA 5-15P 

Cord Length: 5 feet



### SALES FEATURES

Making delicious jerky, dried fruits, herbs, vegetables and more is simple with the Waring® WDH10 10-Tray Dehydrator. Engineered to concentrate flavor and preserve freshness as it dehydrates, it features touch-screen controls that put menu variety at your fingertips. Designed to accommodate large batches, yet compact enough to fit on any counter, the unit is a must-have to meet demands for fresh, flavorful treats.



@waringcommercial

©2019 Waring Commercial  
314 Ella T. Grasso Avenue, Torrington, CT 06790  
Tel. 800-492-7464 • Fax 860-496-9008

waringcommercialproducts.com

WDH10

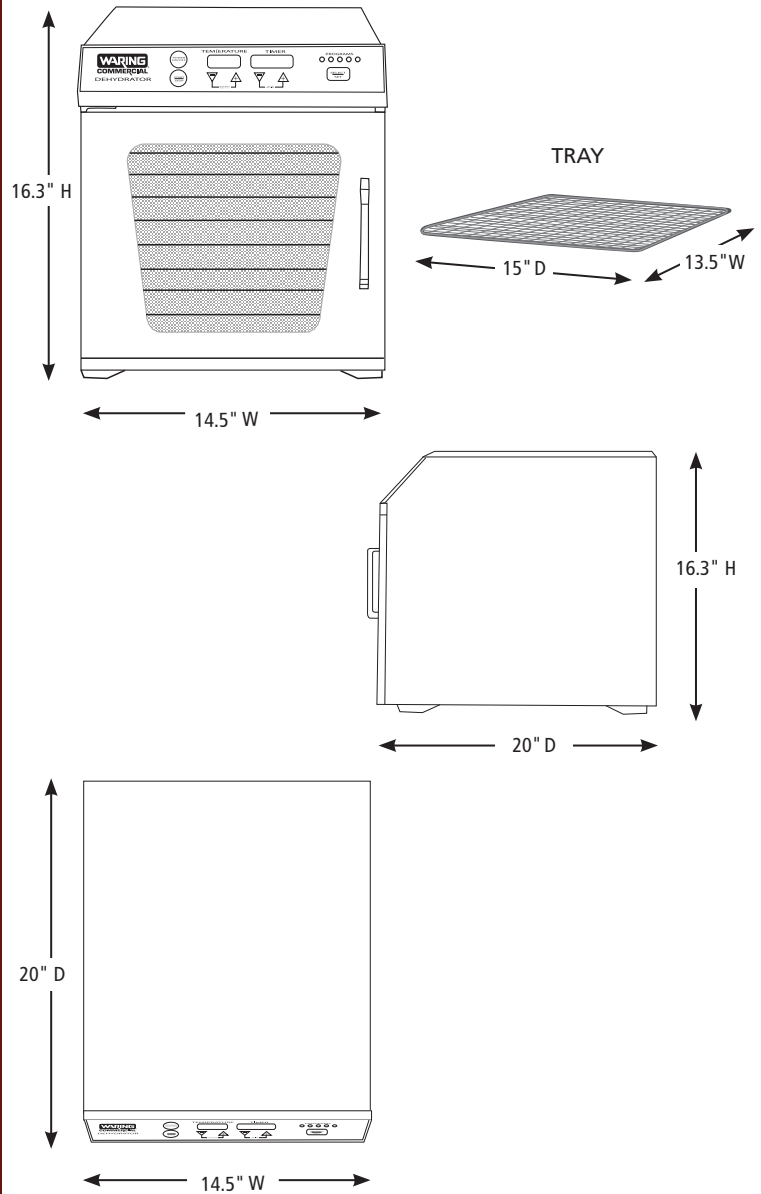


# 10-Tray Dehydrator WDH10

## PARTS & ACCESSORIES

Image To Come **WDH10FLS** Fruit Leather Sheet

## DIMENSIONS



Out of Box Weight: 35 lb.

ORDERING INFORMATION	#STD. PKG.	GIFTBOX WEIGHT	CUBIC FEET	BOX DIMENSIONS D X W X H	UPC	CASE PKG.	MC WEIGHT	MC DIMENSIONS D X W X H	MBC
WDH10 – 10-Tray Dehydrator	1	TBD	TBD	TBD" x TBD" x TBD"	040072086281	1	44.3	28" x 18" x 19.7"	10040072086288



@waringcommercial

©2019 Waring Commercial  
314 Ella T. Grasso Avenue, Torrington, CT 06790  
Tel. 800-492-7464 • Fax 860-496-9008

waringcommercialproducts.com

19WC059811 / REV 09/19