

WAOC-1 OIL DISPOSAL CADDY

WAOC-1 OIL DISPOSAL CADDY



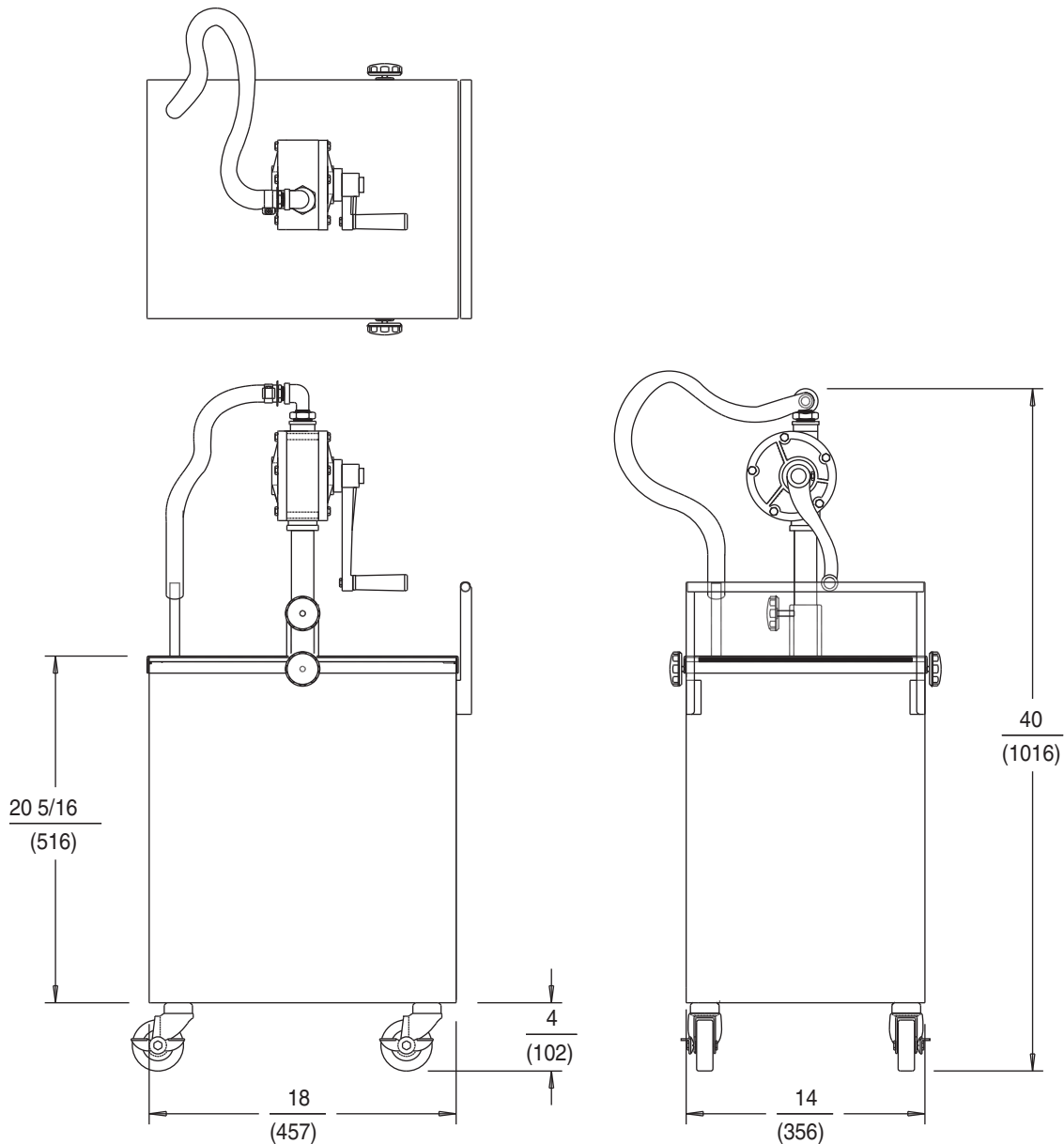
Simplify your life. Get the new **Wells Mobile Oil Caddy**. Now you can discard used oil quickly and easily with no-muss, no-fuss. Just roll the caddy where you need it. Pump the oil from the fryer into the caddy and go. To dispose of the contents, rotate the handle in the opposite direction. With its compact size, the Caddy can be effortlessly transported and easily stored. The stainless-steel oil container will withstand years of heavy-duty use. It works with fryers of all types, from countertop designs to high production floor models. The Wells Mobile Oil Caddy, it does one thing and it does it very well.

Features

- **100 pound oil capacity** will accommodate the needs of all fryers.
- You can remove 50 lbs. of oil in **under 3 minutes**.
- Four **locking swivel casters** provide maximum mobility in any direction.
- **Rotating pump** assembly allows easy positioning.
- **Oil hose insertion holes** located in top cover for easy access.
- **Ideal pump handle height** for easy turning.
- **Removable pump and hose assembly** permits under-counter storage.
- High volume, **easy to turn pump handle** saves time.
- Dependable, easy-to-use **cast iron valve type bi-directional pump**.



DIMENSIONS: $\frac{\text{INCH}}{\text{(MM)}}$



NOTE: Specifications are subject to change without notice. This system is designed to pump and discard old oil only and only when below 100°F (38°C). Never attempt to pump any hot liquid (above 100°F) with this oil caddy. Failure to follow this warning may result in serious burn injury. Always tighten pump pipe knob before pumping oil. NEVER USE THIS SYSTEM TO PUMP WATER OR CHEMICALS.

WELLS MANUFACTURING COMPANY
 2 ERIK CIRCLE, PO BOX 280, VERDI, NV 89439 U.S.A.
 USA PHONE: (775) 689-5700 • FAX: (775) 689-5972
 FOR ORDERS ONLY: (888) 356-5362 • FAX: (800) 356-5142
 www.wells-mfg.com
 © 2002 WELLS MANUFACTURING • PRINTED IN THE U.S.A.
 03/02 • REV(B) • PART NO. 302093

