



Over 90 Years of Quality Foodservice
Products and Service

Job _____ Item No. _____

RCP-7050 [1/2] & RCP-7067 [2/3] REFRIGERATED COLD PANS



RCP-7050



RCP-7067

DESCRIPTION

Wells Refrigerated Drop-In Cold Pans hold pre-chilled food products at cold, fresh and safe serving temperatures. All models are completely self-contained 1/2 size fractional and 2/3 size fractional as well as in one to six-pan models with individual thermostatic controls, are CFC free and include an 8 ft. 120V cord and plug. Pans are recessed 3" to comply with NSF-7 performance requirements.

SPECIFICATIONS

Exterior - One-piece top flange and coved-corner interiors constructed of 18 gauge stainless steel. Exterior body constructed of heavy gauge, corrosion resistant steel. Condensing unit mounted on corrosion resistant frame below the cold pan.

Interior - CFC free foamed-in-place insulation through-out, 1" drain located in center for easy cleaning. Ledge is recessed 3" to comply with NSF-7 requirements, allowing a layer of air to insulate food and for pan support.

Refrigeration - Air cooled, type 134A CFC free refrigerant system featuring wrapped coil construction on both sides and bottom, individual thermostats, on/off switch, 8 ft. cord and plug set NEMA 5-15P (120V models). Refrigeration system features sight glass, easy service valves, dryer/filter and receiver. Condensing unit may be easily removed for service.

STANDARD FEATURES

- 3" recessed top edge to comply with NSF-7 requirements
- Self contained drop-in design
- Model **RCP-7050** holds a standard 12" x 10" 1/2 size or equivalent fractional pans
- Model **RCP-7067** holds a standard 2/3rd size or equivalent fractional pans. Includes an adaptor bar to accommodate 2 each 1/3 size pans, 4 each 1/6th size pans or 6 each 1/9th size pans
- Stainless steel top and liner for maximum strength and durability
- On/off switch with 8' cord & plug for easy installation and operation
- Type 134A CFC free refrigerant
- Recessed ledge for pan support and colder, fresher products
- Quick & easy service with sight glass, service valves, filter/dryer and receiver
- Limited 1 year parts & labor warranty

OPTIONS & ACCESSORIES

- 5-year compressor warranty
- Perforated bottom strainer plate conveniently holds ice above drain to prevent clogging
- Adaptor bars for fractional sized pans
- Remote on/off switch
- 220/230/240V
- 50 cycle
- Remote models (Includes compressor and condensing units and up to 20' leads)
- Remote models without compressors or condensing units
- Special condenser orientation and compressor rack position
- 2nd year parts & labor warranty

CERTIFICATIONS



Sheet No. WELLRCP70 [08/15]



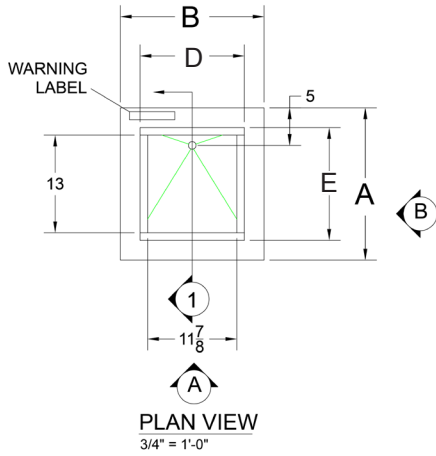
Wells Bloomfield · 10 Sunnen Drive St. Louis, MO 63143 U.S.A.
Phone (314) 678-6314 · Fax (314) 781-5445 · www.WellsBloomfield.com · Printed in the U.S.A.

NOTE: Specifications are subject to change without notice and are not intended for installation purposes. See installation instructions prior to installing the unit.

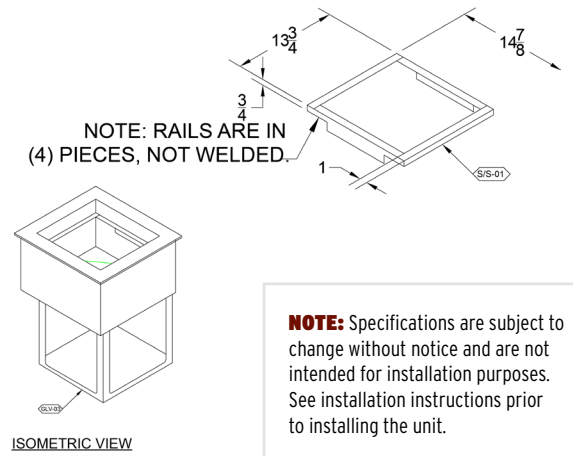
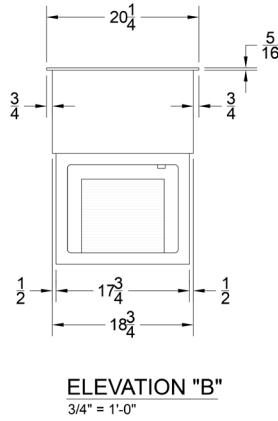
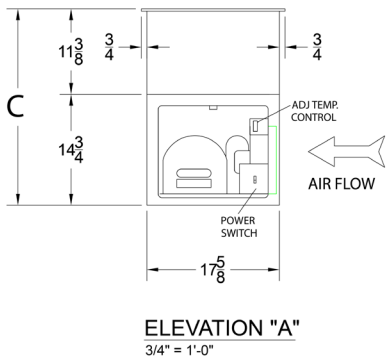
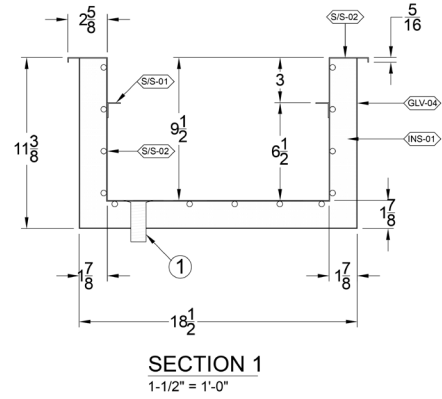


Over 90 Years of Quality Foodservice
Products and Service

RCP-7050 [1/2] & RCP-7067 [2/3] REFRIGERATED COLD PANS



COUNTER CUTOUT:
"G" X "F"



NOTE: Specifications are subject to change without notice and are not intended for installation purposes. See installation instructions prior to installing the unit.

SPECIFICATIONS								SPECIFICATIONS					
MODELS	DIMENSIONS [inches/[mm]]							DIMENSIONS					
	OVERALL			INTERIOR		CUT OUT		WEIGHTS		CARTON			CRATE FT ³ /[M ³]
	A DEPTH	B WIDTH	C HEIGHT	D DEPTH	E WIDTH	F DEPTH	G WIDTH	SHIP	INSTALL	DEPTH	HEIGHT	WIDTH	
RCP-7050	16 3/4 [425.5]	19 1/8 [486]	26 1/8 [664]	13 7/8 [339.7]	11 1/2 [292.2]	17 7/8 [454]	15 1/2 [393.7]	75 [34.0]	65 [29.5]	20 [508]	32 [812.8]	23 [584.2]	.89 [8.5]
RCP-7067	20 1/4 [514.4]	19 1/8 [486]	26 1/8 [664]	13 7/8 [339.7]	15 [381]	17 7/8 [454]	19 [482.6]	85 [38.5]	75 [34.0]	23 [584.2]	32 [812.8]	23 [584.2]	1.14 [9.8]

POWER SUPPLY						
MODELS	VOLTS	HP	AMPS	PHASE	POWER	REFRIGERANT
RCP-7050	115	1/4	3.7	SINGLE	NEMA 5-15P	134A
RCP-7067	115	1/4	3.7	SINGLE	NEMA 5-15P	134A

Sheet No. WELLRCP70 [08/15]



Wells Bloomfield · 10 Sunnen Drive St. Louis, MO 63143 U.S.A.
Phone (314) 678-6314 · Fax (314) 781-5445 · www.WellsBloomfield.com · Printed in the U.S.A.

NOTE: Specifications are subject to change without notice and are not intended for installation purposes. See installation instructions prior to installing the unit.