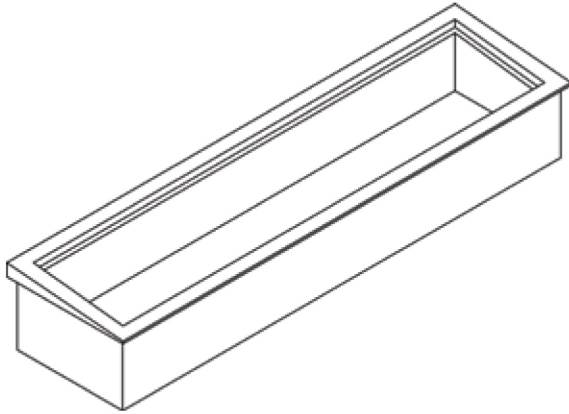




# Ice Pans – Slim Line with Slope Top Non-Refrigerated Cold Pans

ICP-200SLST    ICP-300SLST    ICP-400SLST



Model ICP-300SLST

## DESCRIPTION

Wells Slim Line Slope Top Non-Refrigerated Drop-In Ice Pans are designed for narrow counters and to hold pre-chilled food products at serving temperatures. All models are completely self-contained in two, three or four-well models featuring CFC free insulation. Recessed top ledges lowers inset pans; keeping food colder and fresher and meet NSF-2 guidelines.

## SPECIFICATIONS

**Exterior** – One-piece top flange and coved-corner interiors constructed of 18 gauge stainless steel. Exterior body constructed of heavy gauge, corrosion resistant steel.

**Interior** – CFC free foamed-in-place insulation through-out. Each pan features a 1” drain located in the center for easy cleaning, and recessed ledges for pan support.

## STANDARD FEATURES

- Drop-in design
- Pans are raised in the rear for improved visibility and access to food products
- NSF-2 compliant
- Hold standard 12” by 20” food pans and fractional sized pans
- Stainless steel top and liner for maximum strength and durability
- 1” drains per well for ease of cleaning
- Perforated bottom strainer plate conveniently holds ice above drain for ease of cleaning
- CFC free fully insulated
- Foamed-in place insulation keeps food cold while saving energy
- Recessed ledge for pan support and colder, fresher products
- Limited 1 year parts and labor warranty

## OPTIONS & ACCESSORIES

- Divider bars for fractional pans
- 2nd year parts & labor warranty

## CERTIFICATIONS





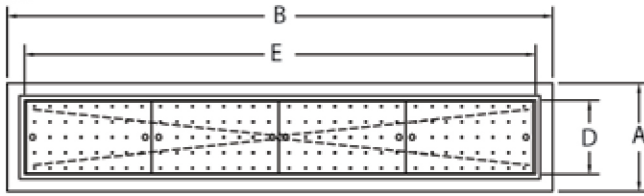
Over 90 Years Of Quality Foodservice  
Products And Service

# Ice Pans – Slim Line with Slope Top Non-Refrigerated Cold Pans

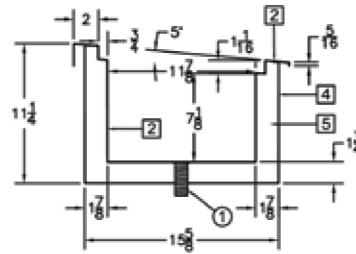
□ ICP-200SLST □ ICP-300SLST □ ICP-400SLST

INCHES

MM



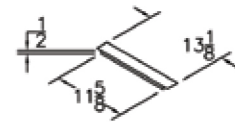
**PLAN VIEW**



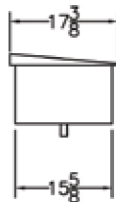
**SECTION THRU**

MODEL ICP-400SLST

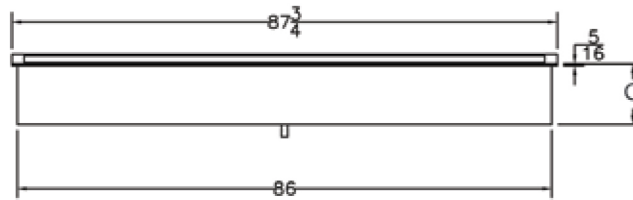
**COUNTER CUTOUT:**  
86 1/4" X 15 7/8"



**ADAPTER BAR**  
(3) REQ'D



**SIDE ELEVATION**



**FRONT ELEVATION**

**NOTE:**  
Specifications are subject to change without notice and are not intended for installation purposes. See installation instructions prior to installing the unit.

**SPECIFICATIONS**

**SHIPPING INFORMATION**

| Model Number | OVERALL DIMENSIONS                   |                                      |                               | INTERIOR DIMENSIONS                  |                                      | CUT OUT DIMENSIONS                       |   | Model Number | WEIGHTS                              |                                       | CARTON DIMENSIONS       |                         |                          | CRATE SIZE    |                 |
|--------------|--------------------------------------|--------------------------------------|-------------------------------|--------------------------------------|--------------------------------------|--|---|--------------|--------------------------------------|---------------------------------------|-------------------------|-------------------------|--------------------------|---------------|-----------------|
|              | A<br>Front to Back<br>Inches<br>(MM) | B<br>Left to Right<br>Inches<br>(MM) | C<br>Height<br>Inches<br>(MM) | D<br>Front to Back<br>Inches<br>(MM) | E<br>Left to Right<br>Inches<br>(MM) | Width<br>Front to Back<br>Inches<br>(MM) | Length<br>Left to Right<br>Inches<br>(MM) |              | SHIPPING<br>WEIGHT<br>POUNDS<br>(KG) | INSTALLED<br>WEIGHT<br>POUNDS<br>(KG) | WIDTH<br>Inches<br>(MM) | DEPTH<br>Inches<br>(MM) | HEIGHT<br>Inches<br>(MM) | CUBIC<br>FEET | CUBIC<br>METERS |
| ICP-200SLST  | 17-3/8<br>(441)                      | 46-1/4<br>(1175)                     | 9-3/4<br>(248)                | 11-7/8<br>(302)                      | 40-3/4<br>(1035)                     | 15-7/8<br>(403)                          | 44-3/4<br>(1137)                          | ICP-200SLST  | 60.7<br>(27.5)                       | 58.7<br>(26.6)                        | 18-7/8<br>(479)         | 47-1/4<br>(1200)        | 18<br>(457)              | 9.2           | 0.26            |
| ICP-300SLST  | 17-3/8<br>(441)                      | 67<br>(1702)                         | 9-3/4<br>(248)                | 11-7/8<br>(302)                      | 61-1/2<br>(1562)                     | 15-7/8<br>(403)                          | 65-1/2<br>(1664)                          | ICP-300SLST  | 64.7<br>(29.3)                       | 62.3<br>(28.2)                        | 18-7/8<br>(479)         | 68<br>(1727)            | 18<br>(457)              | 13.3          | 0.38            |
| ICP-400SLST  | 17-3/8<br>(441)                      | 87-3/4<br>(2229)                     | 9-3/4<br>(248)                | 11-7/8<br>(302)                      | 82-1/4<br>(2089)                     | 15-7/8<br>(403)                          | 86-1/4<br>(2192)                          | ICP-400SLST  | 86.0<br>(39.0)                       | 83.3<br>(37.8)                        | 18-7/8<br>(479)         | 88-3/4<br>(2254)        | 18<br>(457)              | 17.4          | 0.5             |

Due to periodic changes in designs, methods, procedures, policies and regulations, the specifications contained in this sheet are subject to change without notice. While Wells exercises good faith efforts to provide information that is accurate, we are not responsible for errors or omissions in information provided or conclusions reached as a result of using the specifications. By using the information provided, the user assumes all risks in connection with such use.



**Wells Bloomfield** • 10 Sunnen Dr. St. Louis, MO 63143 U.S.A.  
Phone : (314) 678-6314 • Fax (314) 781-3636  
www.wellsbloomfield.com

**NOTE: Specifications are subject to change without notice and are not intended for installation purposes. See installation instructions prior to installing the unit.**