

**WARING**  
COMMERCIAL®



**Variable Speed Control  
from 5K to 13K RPM**



**Battery Charging/Docking  
Station with Quick Charging Circuit**



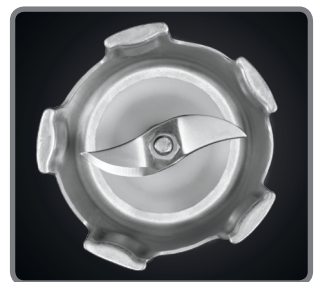
**Storage/Transport  
Case Included**



# CORDLESS **BOLT** LITHIUM

## IMMERSION BLENDER

- Cordless – Rechargeable – Powerful
- Brushless DC Motor
- 10.8-Volt Lithium Ion Battery Pack for Extended Life and Runtime
- Variable Speed from 5K to 13K RPM
- 7" Removable, Dishwasher-Safe Blending Shaft
- Battery Charging/Docking Station with Quick-Charging Circuit
- LED Indicator Lights for Speeds and Power Status
- Ergonomic Housing Design
- Storage/Transport Case Included
- Limited One Year Motor Warranty



**WSB38X**



# CORDLESS BOLT LITHIUM

# CORDLESS IMMERSION BLENDER

10.8-Volt Lithium Ion Battery Pack for Extended Life and Runtime



Brushless DC Motor Built for High Efficiency and Long Motor Life.

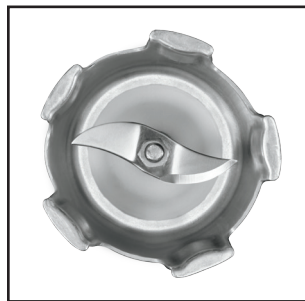


Power Button

Speed Control (+ and -)

LED indicator Lights for Speeds and Power Status

7" Removable, Dishwasher-Safe Blending Shaft



Stainless Steel Blade



ITEM	ELECTRICAL	LISTINGS	OUT OF BOX WEIGHT	OUT OF BOX DIMENSIONS L x W x H	WARRANTY
WSB38X	10.8-V Lithium Ion Battery	cETLus, ETL Sanitation	2 lbs.	4" x 2.5" x 19"	Limited One Year Motor

ORDERING INFO INFORMATION	#STD. PKG.	GIFTBOX WEIGHT	CUBIC FEET	BOX DIMENSIONS L x W x H	UPC	CASE PKG.	MC WEIGHT	MC DIMENSIONS L x W x H	MBC
WSB33X- Cordless Immersion Blender	1	3.9 lbs.	.521	9.8" x 5" x 15.75"	040072072154	4	15.7 lbs.	13.875" x 12.375" x 11"	00040072072147

ITEM	DESCRIPTION	UPC
WSB38XST	7" Stainless Steel Shaft	040072075889
WSB38XBP	Battery Pack	040072075872
WSB38XCS	1.5-Hour Quick-Charging Station	040072075865
WSB38XSC	Storage/Carrying Case	040072075858



@waringcommercial

waringcommercialproducts.com

©2017 Waring Commercial  
314 Ella T. Grasso Avenue, Torrington, CT 06790  
Tel. 800-492-7464 • Fax 860-496-9008

17WC025021