

Item No.:	_____	Qty.:	_____
Model No.:	_____		
Project No.:	_____		



## Standard Series Work Table

Standard Work Table, Flat Top with Galvanized Crossbracing

24"

30"

- WT24X30-STGX
- WT24X36-STGX
- WT24X48-STGX
- WT24X60-STGX
- WT24X72-STGX
- WT24X84-STGX
- WT24X96-STGX
- WT24X108-STGX
- WT24X120-STGX

- WT30X30-STGX
- WT30X36-STGX
- WT30X48-STGX
- WT30X60-STGX
- WT30X72-STGX
- WT30X84-STGX
- WT30X96-STGX
- WT30X108-STGX
- WT30X120-STGX

### Features

- 16 Gauge, 300 series stainless steel
- Welded construction for consistent metal gauge thickness throughout
- Sound deadened between top and bottom hat channels with double sided tape
- 1-5/8" Galvanized legs with high impact plastic feet, adjustable up to 1" feet
- Adjustable galvanized crossbracing
- Shipped knocked down for reduced shipping costs and supplied with Allen wrench and screw

### Options

- Custom Height (if less than 36")
- Cutout in Top (depending on size and location)
- Overshelves
- Undershelves
- Drawers
- Casters / Feet Upgrade

\* For additional available options, contact Elkay SSP

### Materials

- **Top:** 16 Gauge, 300 series stainless steel, 1-3/4" turned down edge
- **Legs:** 1-5/8" Diameter heavy gauge galvanized tubing with galvanized leg gussets and high impact plastic feet, adjustable up to 1"
- **Crossbracing:** 1-1/4" Diameter, galvanized steel, adjustable

### Flyer Product



**AUTOQUOTES**



*In keeping with our policy of continuing product improvement, Elkay SSP reserves the right to change product specifications without notice.*

*This specification describes an Elkay SSP product with design, quality and functional benefits to the user. When making a comparison of other producers' offerings, be certain these features are not overlooked.*

Elkay SSP  
421 N. Freya St.  
Spokane, WA 99205  
Phone: 800-726-0553 Fax: 509-535-1493

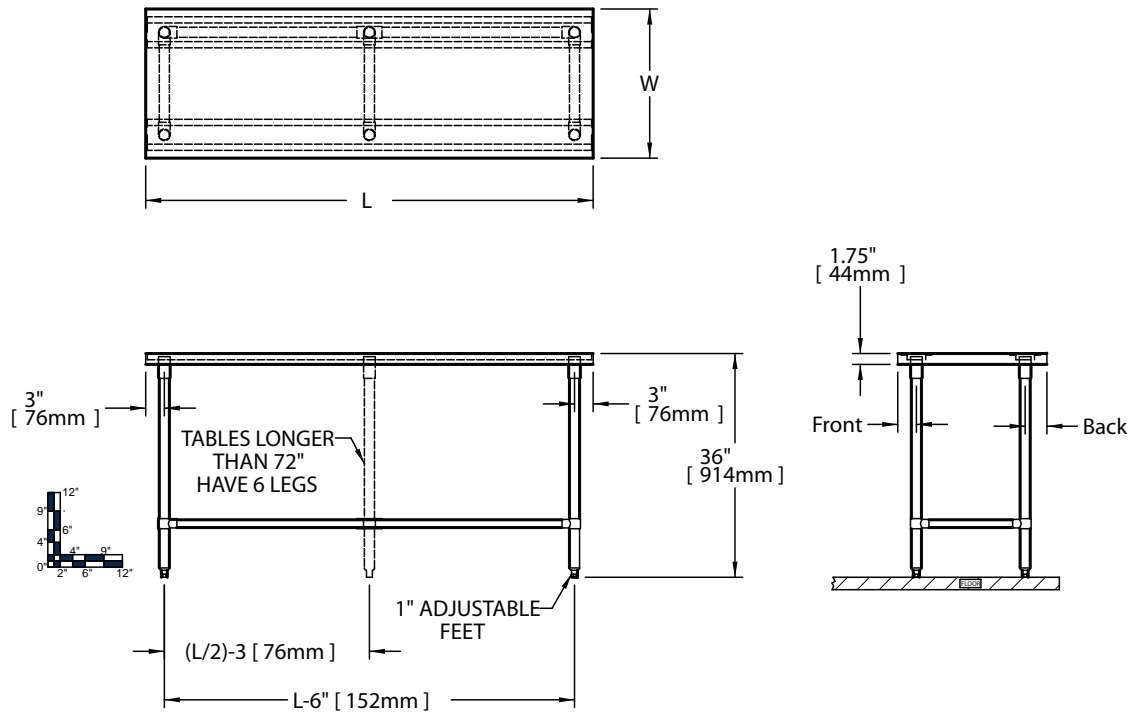
Website: [www.sspinc.net](http://www.sspinc.net)  
Email: [sspsales@elkay.com](mailto:sspsales@elkay.com)  
©2011 Elkay

WT-WTXSTGX16AUG2011

Page 1 of 2



Item No.: \_\_\_\_\_ Qty.: \_\_\_\_\_  
 Model No.: \_\_\_\_\_  
 Project No.: \_\_\_\_\_



24" Work Table					30" Work Table					Legs				
Model Number	Overall Size		Weight		Model Number	Overall Size		Weight						
	Length L	Height H	lbs.	kg		Length L	Height H	lbs.	kg					
	in.	mm	in.	mm		in.	mm	in.	mm	lbs.	kg			
WT 24 X 30 -STG X	30	762	36	914	75	34	WT 30 X 30 -STG X	30	762	36	914	85	39	4
WT 24 X 36 -STG X	36	914	36	914	85	39	WT 30 X 36 -STG X	36	914	36	914	94	43	4
WT 24 X 48 -STG X	48	1219	36	914	102	46	WT 30 X 48 -STG X	48	1219	36	914	112	51	4
WT 24 X 60 -STG X	60	1524	36	914	124	56	WT 30 X 60 -STG X	60	1524	36	914	136	62	4
WT 24 X 72 -STG X	72	1829	36	914	142	65	WT 30 X 72 -STG X	72	1829	36	914	155	70	4
WT 24 X 84 -STG X	84	2134	36	914	175	80	WT 30 X 84 -STG X	84	2134	36	914	190	86	6
WT 24 X 96 -STG X	96	2438	36	914	193	88	WT 30 X 96 -STG X	96	2438	36	914	210	95	6
WT 24 X 108 -STG X	108	2743	36	914	219	100	WT 30 X 108 -STG X	108	2743	36	914	237	108	6
WT 24 X 120 -STG X	120	3048	36	914	238	108	WT 30 X 120 -STG X	120	3048	36	914	257	117	6

