

Item No.:	_____	Qty.:	_____
Model No.:	_____		
Project No.:	_____		



Standard Series Work Table

Standard Work Table, Backsplash with Galvanized Undershef

24"

30"

- WT24S30-BGX
- WT24S36-BGX
- WT24S48-BGX
- WT24S60-BGX
- WT24S72-BGX
- WT24S84-BGX
- WT24S96-BGX
- WT24S108-BGX
- WT24S120-BGX

- WT30S30-BGX
- WT30S36-BGX
- WT30S48-BGX
- WT30S60-BGX
- WT30S72-BGX
- WT30S84-BGX
- WT30S96-BGX
- WT30S108-BGX
- WT30S120-BGX

Features

- 16 Gauge, 300 series stainless steel
- 4" Backsplash with 1" return
- Welded construction for consistent metal gauge thickness throughout
- Sound deadened between top and bottom hat channels with double sided tape
- 1-5/8" Galvanized legs with high impact plastic feet, adjustable up to 1"
- Fully adjustable galvanized undershelf
- Shipped knocked down for reduced shipping costs and supplied with Allen wrench and screws

Options

- Custom Height (if less than 36")
- Cutout in Top (depending on size and location)
- Overshelves
- Undershelves
- Drawers
- Casters / Feet Upgrade

* For additional available options, contact Elkay SSP

Materials

- **Top:** 16 Gauge, 300 series stainless steel, 1-3/4" turned-down edge
- **Legs:** 1-5/8" Diameter heavy gauge galvanized tubing with galvanized leg gussets and high impact plastic feet, adjustable up to 1"
- **Undershef:** Galvanized steel with 1-1/2" turned-down edge, fully adjustable

Flyer Product



AUTOQUOTES



In keeping with our policy of continuing product improvement, Elkay SSP reserves the right to change product specifications without notice.

This specification describes an Elkay SSP product with design, quality and functional benefits to the user. When making a comparison of other producers' offerings, be certain these features are not overlooked.

Elkay SSP
421 N. Freya St.
Spokane, WA 99205
Phone: 800-726-0553 Fax: 509-535-1493

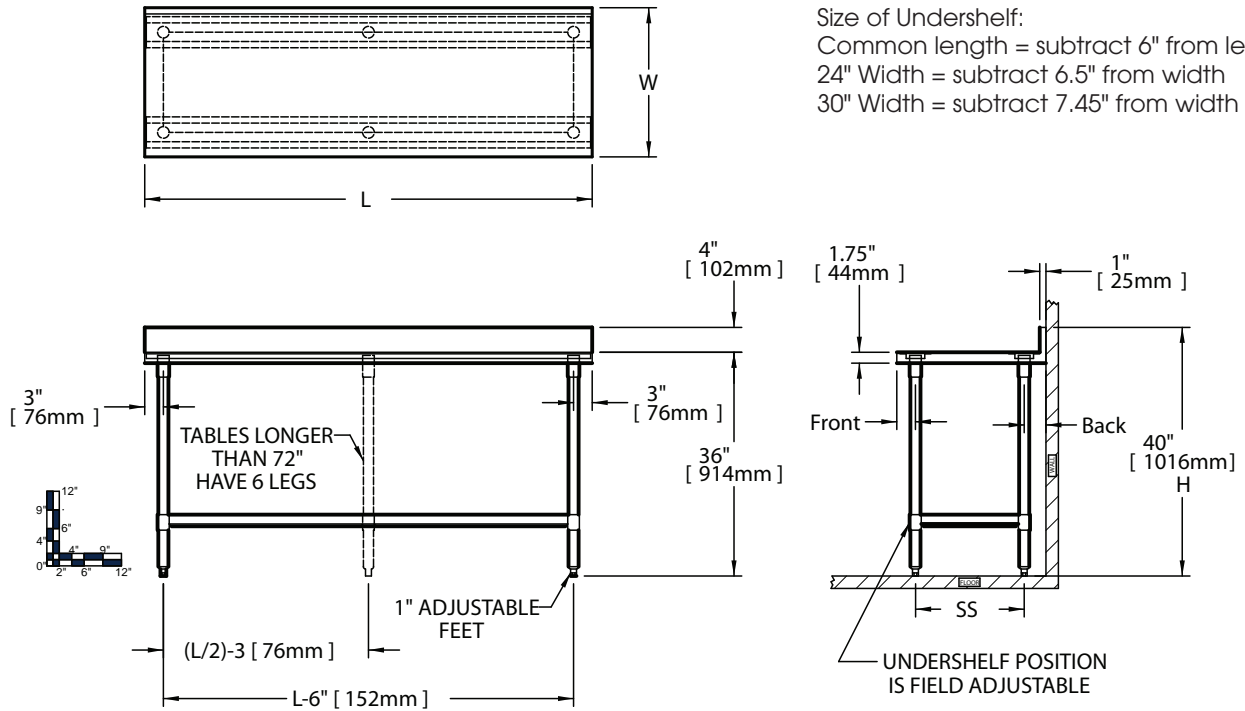
Website: www.sspinc.net
Email: sspsales@elkay.com
©2011 Elkay

WT-WTSBGX16AUG2011

Page 1 of 2



Item No.: _____ Qty.: _____
 Model No.: _____
 Project No.: _____



24" Work Table					30" Work Table					Legs				
Model Number	Overall Size		Weight		Model Number	Overall Size		Weight						
	Length	Height				Length	Height							
	L	H	lbs.	kg		L	H	lbs.	kg					
	in.	mm	in.	mm		in.	mm	in.	mm	lbs.	kg			
WT 24 S 30 - BG X	30	762	40	1016	90	41	WT 30 S 30 - BG X	30	762	40	1016	103	47	4
WT 24 S 36 - BG X	36	914	40	1016	101	46	WT 30 S 36 - BG X	36	914	40	1016	113	51	4
WT 24 S 48 - BG X	48	1219	40	1016	123	56	WT 30 S 48 - BG X	48	1219	40	1016	137	62	4
WT 24 S 60 - BG X	60	1524	40	1016	150	68	WT 30 S 60 - BG X	60	1524	40	1016	166	75	4
WT 24 S 72 - BG X	72	1829	40	1016	172	78	WT 30 S 72 - BG X	72	1829	40	1016	191	87	4
WT 24 S 84 - BG X	84	2134	40	1016	209	95	WT 30 S 84 - BG X	84	2134	40	1016	231	105	6
WT 24 S 96 - BG X	96	2438	40	1016	232	105	WT 30 S 96 - BG X	96	2438	40	1016	257	117	6
WT 24 S 108 - BG X	108	2743	40	1016	262	119	WT 30 S 108 - BG X	108	2743	40	1016	290	132	6
WT 24 S 120 - BG X	120	3048	40	1016	285	130	WT 30 S 120 - BG X	120	3048	40	1016	315	143	6



Elkay SSP
 421 N. Freya St.
 Spokane, WA 99205
 Phone: 800-726-0553 Fax: 509-535-1493

Website: www.sspinc.net
 Email: sspsales@elkay.com
 ©2011 Elkay