

Item No.:	_____	Qty.:	_____
Model No.:	_____		
Project No.:	_____		



## Standard Series Work Table

Standard Work Table, Flat Top with Stainless Steel Undershef

24"

30"

- WT24S30-STSX
- WT24S36-STSX
- WT24S48-STSX
- WT24S60-STSX
- WT24S72-STSX
- WT24S84-STSX
- WT24S96-STSX
- WT24S108-STSX
- WT24S120-STSX

- WT30S30-STSX
- WT30S36-STSX
- WT30S48-STSX
- WT30S60-STSX
- WT30S72-STSX
- WT30S84-STSX
- WT30S96-STSX
- WT30S108-STSX
- WT30S120-STSX

### Features

- 16 Gauge, 300 series stainless steel
- Welded construction for consistent metal gauge thickness throughout
- Sound deadened between top and bottom hat channels with double sided tape
- 1-5/8" Stainless steel legs and feet, adjustable up to 1"
- Fully adjustable stainless steel undershef
- Shipped knocked down for reduced shipping costs and supplied with Allen wrench and screws

### Options

- Custom Height (if less than 36")
- Cutout in Top (depending on size and location)
- Overshelves
- Undershelves
- Drawers
- Casters / Feet Upgrade

\* For additional available options, contact Elkay SSP

### Materials

- **Top:** 16 Gauge, 300 series stainless steel, 1-3/4" turned-down edge
- **Legs:** 1-5/8" Diameter heavy gauge stainless steel tubing with stainless steel leg gussets and stainless steel feet, adjustable up to 1"
- **Undershef:** 18 Gauge, 400 series stainless steel, 1-1/2" turned-down edge, fully adjustable

### Flyer Product



**AUTOQUOTES**



In keeping with our policy of continuing product improvement, Elkay SSP reserves the right to change product specifications without notice.

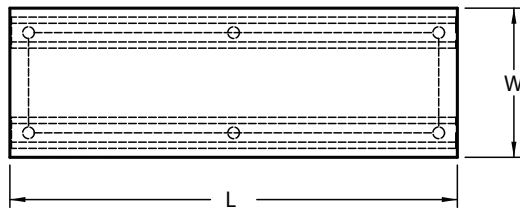
This specification describes an Elkay SSP product with design, quality and functional benefits to the user. When making a comparison of other producers' offerings, be certain these features are not overlooked.

**Elkay SSP**  
 421 N. Freya St.  
 Spokane, WA 99205  
 Phone: 800-726-0553 Fax: 509-535-1493

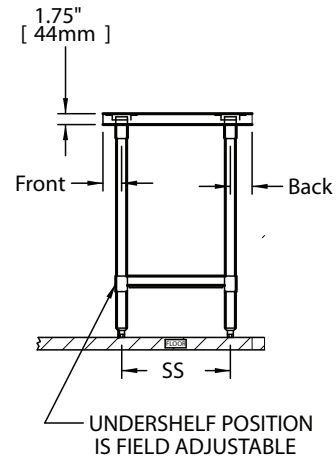
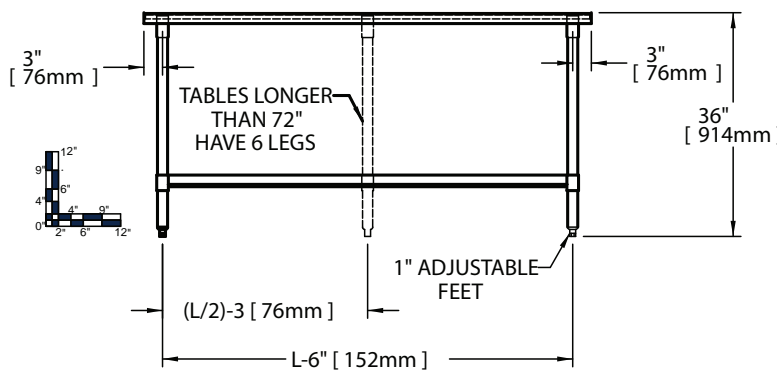
Website: [www.sspinc.net](http://www.sspinc.net)  
 Email: [sspsales@elkay.com](mailto:sspsales@elkay.com)  
 ©2011 Elkay



Item No.: \_\_\_\_\_ Qty.: \_\_\_\_\_  
 Model No.: \_\_\_\_\_  
 Project No.: \_\_\_\_\_



Size of Undershef:  
 Common length = subtract 6" from length  
 24" Width = subtract 6.5" from width  
 30" Width = subtract 7.45" from width



24" Work Table					30" Work Table					Legs				
Model Number	Overall Size		Weight		Model Number	Overall Size		Weight						
	Length L	Height H	lbs.	kg		Length L	Height H	lbs.	kg					
	in.	mm	in.	mm		in.	mm	in.	mm					
WT 24 S 30 - STS X	30	762	36	914	91	41	WT 30 S 30 - STS X	30	762	36	914	102	46	4
WT 24 S 36 - STS X	36	914	36	914	99	45	WT 30 S 36 - STS X	36	914	36	914	111	50	4
WT 24 S 48 - STS X	48	1219	36	914	121	55	WT 30 S 48 - STS X	48	1219	36	914	134	61	4
WT 24 S 60 - STS X	60	1524	36	914	147	67	WT 30 S 60 - STS X	60	1524	36	914	164	75	4
WT 24 S 72 - STS X	72	1829	36	914	168	76	WT 30 S 72 - STS X	72	1829	36	914	188	85	4
WT 24 S 84 - STS X	84	2134	36	914	205	93	WT 30 S 84 - STS X	84	2134	36	914	228	104	6
WT 24 S 96 - STS X	96	2438	36	914	228	104	WT 30 S 96 - STS X	96	2438	36	914	253	115	6
WT 24 S 108 - STS X	108	2743	36	914	257	117	WT 30 S 108 - STS X	108	2743	36	914	285	130	6
WT 24 S 120 - STS X	120	3048	36	914	280	127	WT 30 S 120 - STS X	120	3048	36	914	310	141	6

