



BB165

NuBlend® 1-Horsepower Blender



MAIN FEATURES

- 1 HP, 2-speed motor
- Recommended for 1-25 cycles per day
- HI/LO/OFF and PULSE toggle switches
- 44-oz. unbreakable copolyester container
- Great for:
 - Blending bar drinks, smoothies and soups
 - Crushing ice for frozen drinks
 - Chopping salsas and dips
- Removable 2-piece jar lid
- 6 ft. cord with 3 prong plug
- Limited Two-Year Warranty

ELECTRICAL

Voltage: 120V

Frequency: 60Hz

Cord Length: 6 feet

Watts: 660W



SALES FEATURES

Crush ice in seconds and power through light beverage prep with the lightweight yet durable NuBlend® 1-Horsepower Blender from Waring. An essential for households, bars and restaurants and any establishment where quickly blended beverages are in demand, the unit features a 1 HP motor and simple Hi/Low/Off and Pulse toggle switches. Produce up to 25 cycles per day in the large, 44 oz. Copolyester container with removable 2-piece jar lid.



@waringproducts

©2026 Waring

314 Ella T. Grasso Avenue, Torrington, CT 06790

Tel. 800-492-7464 • Fax 860-496-9008

waring.com

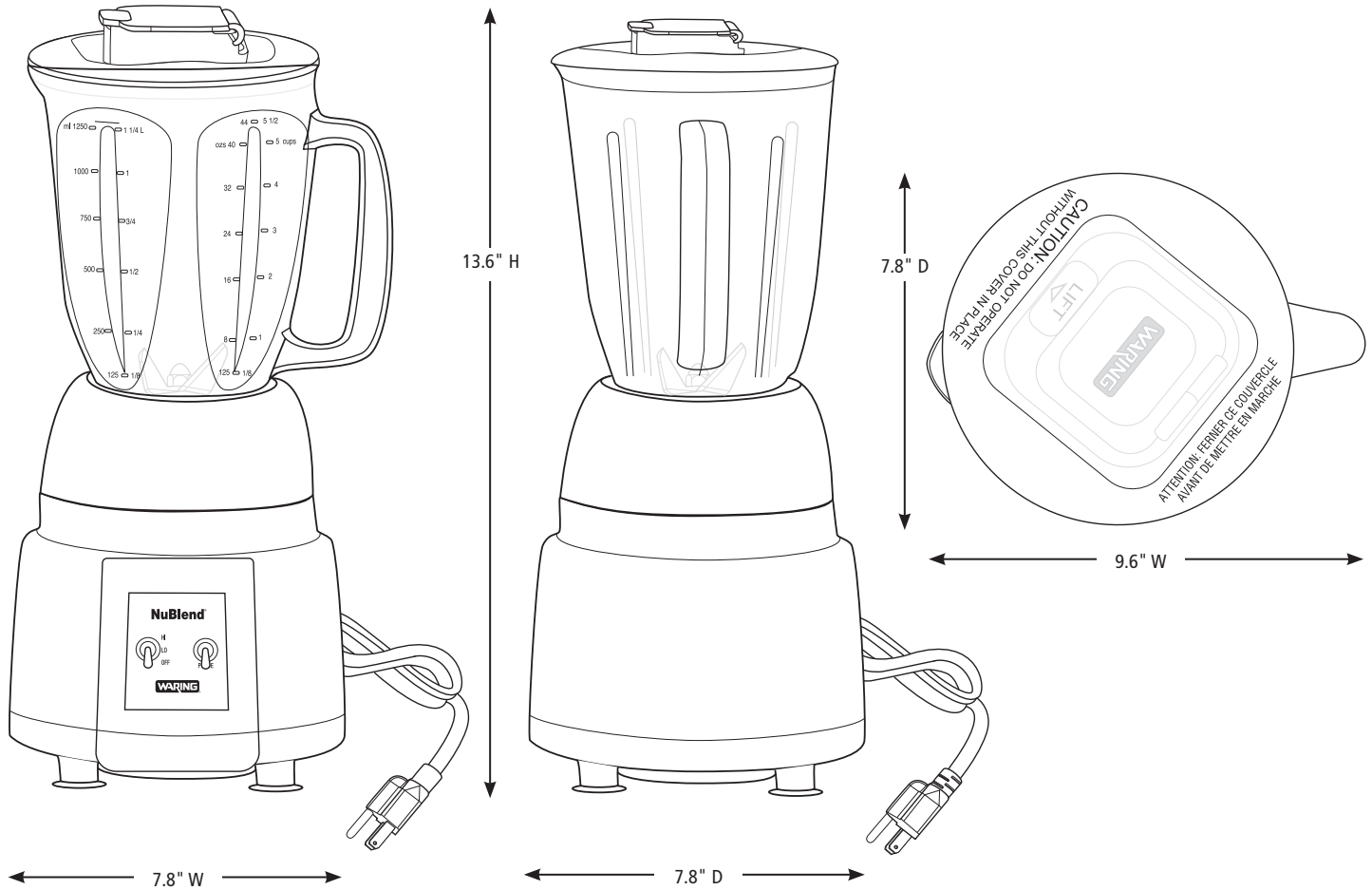
NuBlend® 1-Horsepower Blender

BB165



NuBlend® 1-Horsepower Blender BB165

DIMENSIONS



Out of Box Weight: 7 lb.

ORDERING INFORMATION	#STD. PKG.	GIFTBOX WEIGHT	CUBIC FEET	BOX DIMENSIONS D X W X H	UPC	CASE PKG.	MC WEIGHT	MC DIMENSIONS D X W X H	MBC
BB165 – 1 HP Horsepower Blender	1	8	.62	8" x 9.75" x 13.75"	040072104879	2	16 lbs.	16.375" x 10.25" x 14.375"	10040072104876



@waringproducts

©2026 Waring
314 Ella T. Grasso Avenue, Torrington, CT 06790
Tel. 800-492-7464 • Fax 860-496-9008

waring.com

26WC202145 / REV 04/25