



WSC300CE/K



XPress™ Multipurpose Cooktop



MAIN FEATURES

- Quickly and easily cook sweet or savory crêpes, quesadillas, tortillas, omelets, cheese crisps and more
- 350 mm multipurpose, aluminum cooking surface with embedded heating elements for fast heat-up and recovery time
- Dual cooking surfaces cook both sides at once, cutting cook time and eliminating the need to flip foods
- Cooking surface is triple coated with Whitford QuanTanium®* non-stick coating for easy removal of foods
- Electronic touchpad with precise temperature controls from 52°C - 218°C (125°F - 425°F)
- View temperature in Celsius or Fahrenheit
- Programmable countdown digital timer with audible beep indicators
- Includes silicone crêpe spatula to fold crêpes and remove foods without scratching nonstick surface

*QuanTanium® is a registered trademark of the Whitford Corporation

ELECTRICAL

Voltage: 220-240V

Frequency: 50-60Hz

Kilowatts: 2.7

Plug Type: WSC300CE – F

WSC300CK – G

Cord Length: .9 Meters



SALES FEATURES

Crêpe making, simplified and perfected. The XPress™ cooks both sides simultaneously to produce flawlessly formed crepes, minimizing prep time and maximizing output. Designed to also warm and cook tortillas, make quesadillas, and more, this dual-surface cooktop with digital controls is ideal for today's busy foodservice operations. Just set time and temperature for perfect results, every time.

XPress™ Multipurpose Cooktop

WSC300CE/K



@waringcommercial

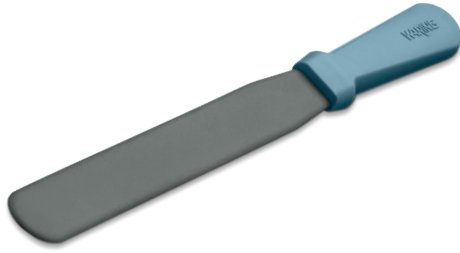
©2023 Waring Commercial
314 Ella T. Grasso Avenue, Torrington, CT 06790
Tel. 800-492-7464 • Fax 860-496-9008

waringcommercialproducts.com



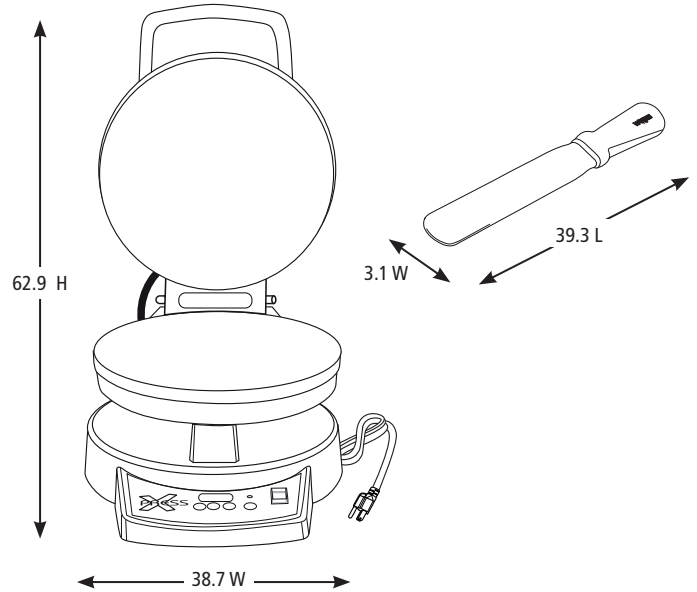
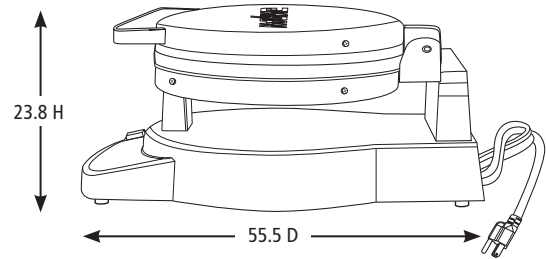
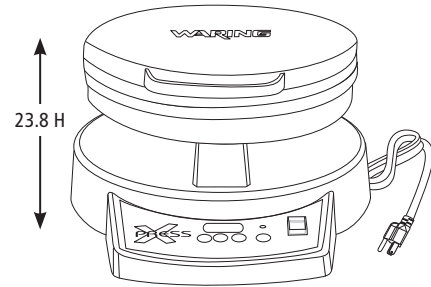
XPress™ Multipurpose Cooktop WSC300CE/K

PARTS & ACCESSORIES



CAC173 Silicone Crêpe Spatula

DIMENSIONS (CM)



Out of Box Weight: 12 kg

ORDERING INFORMATION	#STD. PKG.	GIFTBOX WEIGHT (KG)	CUBIC METERS	BOX DIMENSIONS (CM) D x W x H	UPC	CASE PKG.	MC WEIGHT (KG)	MC DIMENSIONS (CM) D x W x H	MBC
WSC300CE – XPress™ Multipurpose Cooktop	1	12.3	.07	59.1 x 44.6 x 29.4	040072086380	1	13.7	60.6 x 46.1 x 31.4	10040072086387
WSC300CK – XPress™ Multipurpose Cooktop	1	12.3	.07	59.1 x 44.6 x 29.4	040072086342	1	13.7	60.6 x 46.1 x 31.4	10040072086349



@waringcommercial

©2023 Waring Commercial
314 Ella T. Grasso Avenue, Torrington, CT 06790
Tel. 800-492-7464 • Fax 860-496-9008

waringcommercialproducts.com

23WI088468 / REV 06/23