



Project _____
 Item # _____
 Quantity _____

SPECTRUM

Commercial Heavy-Duty Electric Immersion Circulator

Model: ESVI-1800

Get precise cooking with the SPECTRUM IMMERSION CIRCULATOR. This circulator allows you to reach the highest quality in food preparation. The precise temperature controls allows the food to retain moisture, nutrition and flavor for a perfect result every time.

Standard Features

- ◆ Stainless steel construction
- ◆ Easy to use solid state digital control panel
- ◆ IPX7 Waterproof up to 1-meter for 30 minutes
- ◆ High wattage for faster heating and recovery
- ◆ Low water level detection and alarm
- ◆ Quick release fastening screw for fast cleaning
- ◆ Precise temperature accuracy: +1°F (0.5°C)
- ◆ Maximum volume capacity: 15.85 gallons (60L)
- ◆ Temperature range: 41°F to 203°F (5°-95° C)
- ◆ Timer setting range: 5 minutes – 99 hours
- ◆ LED display: Optional °F / °C, with last temperature and time memory when turned on
- ◆ One year parts and labor warranty



ESVI-1800



Accessories and Options

ESV-BH	Stainless Steel 3-Ring Bag Holder Stand
ESV-IB	Sous Vide Insulation Balls
EVPM-12	Chamber Vacuum Packaging Machine
EBS-400M	Impulse Sealer
PFSF-12	Heavyweight Clear Polycarbonate Full-Size Container, 12" deep, 17 Gallon
NSP-10W	10" High Heat Nylon Mixing Paddle (400°F & BPA Free)
NS-12	12" High Heat Nylon Spoon (400°F & BPA Free)



ESV-BH



ESV-IB

For California Customers
 ⚠ **WARNING:** Cancer and Reproductive Harm - www.P65Warnings.ca.gov

Winco® | Division of The Foodware Goup™

www.winco.us.com

New Jersey Headquarters & Distribution Center
 65 Industrial Road, Lodi, NJ 07644
 Phone: 1-888-946-2682 | Fax: 1-973-916-9959

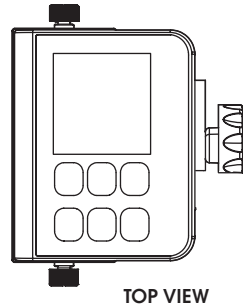
Florida Showroom & Distribution Center
 10800 NW 103rd St. Bldg 22, Ste 11, Miami, FL 33178
 Phone: 1-888-946-2682 | Fax: 1-973-916-9959

Nevada Distribution Center
 3777 Marion Drive, Las Vegas, NV 89115
 Phone: 1-888-946-2682 | Fax: 1-973-916-9959

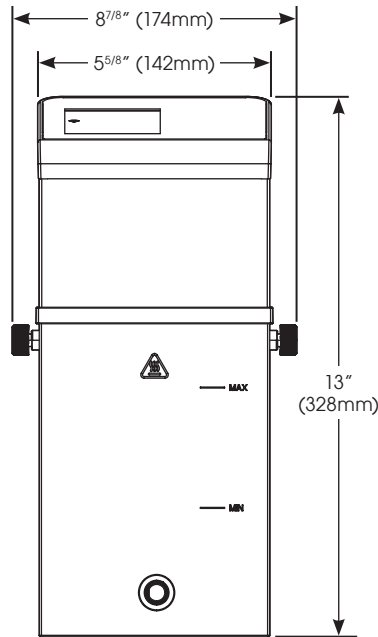


Commercial Heavy-Duty Electric Immersion Circulator

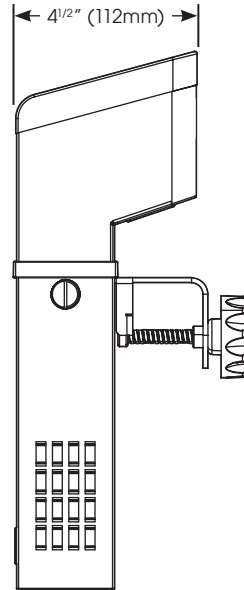
Model: ESVI-1800



TOP VIEW



FRONT VIEW



SIDE VIEW

Specifications

MODEL	DESCRIPTION	OVERALL DIMENSIONS			VOLTS	HZ	WATTS	AMPS	PLUG	SHIP WEIGHT
		LENGTH	DEPTH	HEIGHT						
ESVI-1800	Heavy-Duty Immersion Circulator	8-7/8" (174mm)	4-1/2" (112mm)	13" (328mm)	110-120	60	1800W	15A	NEMA 5-15P *NEMA 5-20P (Canada)	7.28 lbs 3.3 kgs

* For Canada optional NEMA 5-20P cord and plug is required (Item No. ESVC-P17)

Plug Configurations

NEMA 5-15P

NEMA 5-20P



* For Canada

Cord Location

Back of unit with C14 style connector

Product Specs

Spectrum Commercial Electric Immersion Circulator

The Commercial Heavy-Duty Electric Immersion Circulator model ESVI-1800, as manufactured by Winco®, Lodi, NJ 07644.

The ESVI-1800 Commercial Electric Immersion Circulator with stainless steel construction shall be rated at 1800 Watts, 110-120V~60Hz. The immersion circulator shall be equipped with an easy to use solid state digital LED control panel with precise temperature accuracy of +1°F (0.5°C), temperature range of 41°F to 203°F (5°-95° C), timer setting range of 5 minutes - 99 hours, and optional °F / °C, with last temperature and time memory when turned on. The unit has a high wattage for faster heating and recovery, low water level detection and alarm, and a quick release fastening screw for fast cleaning. The maximum volume capacity is 15.85 gallons (60L).

CE certified, IPX7 Waterproof up to 1-meter for 30 minutes, and ETL listed for safety (Canada & US) and NSF sanitation.

Warranty consists of one year parts and labor.

Winco® | Division of The Foodware Goup™

www.winco.us.com

New Jersey Headquarters & Distribution Center
65 Industrial Road, Lodi, NJ 07644
Phone: 1-888-946-2682 | Fax: 1-973-916-9959

Florida Showroom & Distribution Center
10800 NW 103rd St. Bldg 22, Ste 11, Miami, FL 33178
Phone: 1-888-946-2682 | Fax: 1-973-916-9959

Nevada Distribution Center
3777 Marion Drive, Las Vegas, NV 89115
Phone: 1-888-946-2682 | Fax: 1-973-916-9959