

ELECTRIC VACUUM SEALER

- ◆ Compact design with large 3-gallon capacity vacuum chamber
- ◆ Dry vacuum pump and easy-to-use touch controls with adjustable vacuum & seal times, or instant-seal function
- ◆ Stainless steel body construction
- ◆ Heavy-duty transparent lid; dome adds to inner chamber height allowing larger items to fit for sealing

OVERALL DIMENSIONS L" X D" X H" (mm)	CHAMBER DIMENSIONS L" X D" X H" (mm)	POWER	PLUG	SHIP WEIGHT
14- ³ / ₁₆ x 16- ³ / ₄ x 15- ¹ / ₄ (359 x 425 x 388)	12 x 13- ⁷ / ₁₆ x 5- ¹ / ₂ (300 x 350 x 133)	110-120- 60Hz, 630W, 5.25A	NEMA 5-15P	59.7 lbs (27.1 kgs)
SEAL BAR 11-1/2" (295mm)	SEAL WIRE ⁷ / ₁₆ " (3.5mm)			

ITEM	DESCRIPTION	UOM	CASE
EVPM-12	Vacuum Sealer	Set	1
EVPM-P1	Seal Bar Assembly	Each	1

winco® SPECTRUM™ VACUUM SEALER



EVPM-12



11-1/2" seal bar with bag clamp

16" MANUAL IMPULSE BAG SEALER

- ◆ Seals fast, in 0.2 to 3 seconds
- ◆ Compatible with rolled, embossed, flat or zipper vacuum bags with a thickness up to 1/32" (0.5mm)
- ◆ Adjustable timer with indicator light when seal is ready
- ◆ No warm-up time for on-demand sealing
- ◆ Durable aluminum and iron construction

ITEM	OVERALL DIMENSIONS L" X D" X H" (mm)	POWER	PLUG	SHIP WEIGHT
EBS-400M	20- ⁷ / ₁₆ x 3- ⁵ / ₁₆ x 12 (530 x 92 x 305)	120V-50/60Hz, 480W, 4A	NEMA 5-15P	15 lbs (6.8 kgs)
EBS-400M-I	SEAL BAR 15-3/4" (400mm)	SEAL WIRE 1/8" (3mm)	220V-50/60Hz, 480W, 2.2A	

ITEM	DESCRIPTION	UOM	CASE
EBS-400M	Impulse Bag Sealer	Set	1/10
EBS-400M-I	Impulse Bag Sealer, International	Set	1/10
EBS-MP10	Seal Wire	Each	1

winco® SPECTRUM™ IMPULSE BAG SEALER



EBS-SERIES

SOUS VIDE ACCESSORIES

ITEM	DESCRIPTION	UOM	CASE
ESV-BH	Multi Ring Bag Stand	Each	1/4
ESV-IB	Insulation Balls, 100-Pcs/Pk	Pack	1/48
EVPB-0610	Vacuum Sealer Bags, 6" x 8"	Pack	12
EVPB-0812	Vacuum Sealer Bags, 8" x 12"	Pack	12

winco® SPECTRUM™ SOUS VIDE ACCESSORIES

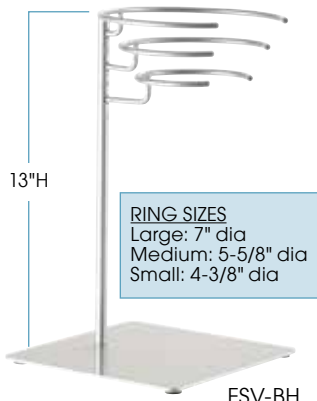


ESV-IB

ESV-1 with ESV-IB insulation balls, to reduce evaporation and hold heat in



Bag stand conveniently holds various sizes of vacuum bags open for easy filling



ESV-BH

RING SIZES
Large: 7" dia
Medium: 5-5/8" dia
Small: 4-3/8" dia

Boil-In VACUUM SEALER BAGS



EVPB-0812



EVPB-0610

