



Project \_\_\_\_\_  
 AIA # \_\_\_\_\_ SIS # \_\_\_\_\_  
 Item # \_\_\_\_\_ Quantity \_\_\_\_\_ C.S.I. Section 114000

## WC44ED SERIES

Full-Size Double Deck Electric Convection Ovens



Model WC44ED



### SPECIFIER STATEMENT

Double section, electric convection oven, Wolf Model WC44ED. Stainless steel front, sides, and top. Simultaneous chain driven doors with double pane windows. Non-sag insulation applied to the top, rear, sides, bottom, and doors. Porcelain enamel on steel oven interiors measure 29"W x 26½"D x 20"H. Two interior oven lights per section. Five nickel plated oven racks per section measure 28¼" x 20½". Eleven position nickel plated rack guides with positive rack stops per section. Each section heated by electric solid sheath elements rated at 12 KW. Furnished with a two speed ½ H.P. oven blower-motor per section. Oven cool switch for rapid cool down. 208 or 240 volt, 60 Hz, 1 or 3 phase.

#### Exterior Dimensions:

40¼" W x 41¾" D (includes motor & door handles)

40¼" W x 37¾" D (includes motor only)

70" H on 8" legs

NSF listed. UL listed. UL listed to Canadian safety standards.

### MODELS

- WC44ED** Solid state temperature controls adjust from 150° to 500°F. 60 minute timer with audible alarm.

**Note: Double deck ovens are supplied as separate units with a stacking kit. Legs or casters need to be specified on order.**

### STANDARD FEATURES

- Full-size oven with stainless steel front, sides, and top
- 8" Stainless steel legs
- Simultaneous chain driven 50/50 doors with double pane windows per section
- Five nickel plated grab-and-go oven racks with eleven rack positions per section (10 total racks)
- Oven cool switch for rapid cool down
- Porcelain enamel on steel oven interiors
- 25 total KW
- ½ H.P. two speed oven blower-motor
- Moisture vent
- One year limited parts and labor warranty
- Interconnecting wiring kit available upon request

### EXTRAS

- Second year extended limited parts and labor warranty

### ACCESSORIES

- See next page

WC44ED SERIES – Full-Size Double Deck Electric Convection Ovens

Approved by \_\_\_\_\_ Date \_\_\_\_\_ Approved by \_\_\_\_\_ Date \_\_\_\_\_

**ACCESSORIES (PACKAGED AND SOLD SEPARATELY)** **FLNGD-FT/4**

Set of four flanged feet, seismic legs

 **CSTSET-8IN**

Set of four (2 locking) casters in lieu of standard legs

 **RACK-1PCNEW**

Extra oven rack

 **RACK-HANGRV**

Rack hanger

 **DRAFT-DIVERT**

Down draft flue diverter for direct vent connection

 **DRIPPAN-SSDD**

Stainless steel drip pan

*Image N/A* **ENCLSUR-SSBACK**

Stainless steel rear motor enclosure

*Image N/A* **HTSHLD-LH/V**

Heat shield for oven side (left)

*Image N/A* **HTSHLD-RH/V**

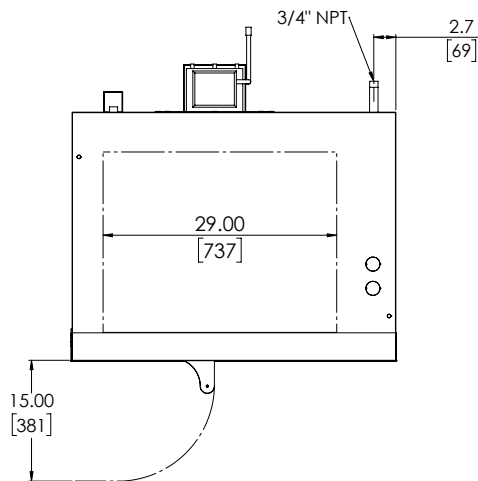
Heat shield for oven side (right)

#### OPTIONAL VOLTAGES

- ❑ 220/380 volt, 50 Hz, 1 phase, 3 wire
- ❑ 220/380 volt, 50 Hz, 3 phase, 4 wire
- ❑ 240/415 volt, 50 Hz, 3 phase, 4 wire

#### CLEARANCES

	Combustible	Non-Combustible
Rear	2"	2"
Right Side	4"	4"
Left Side	1"	1"



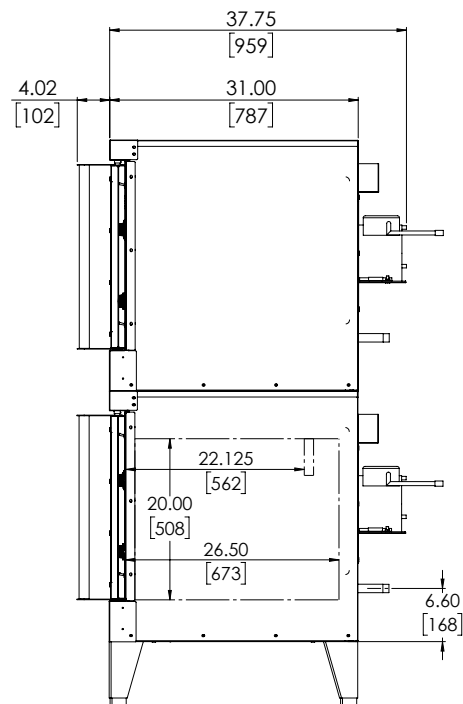
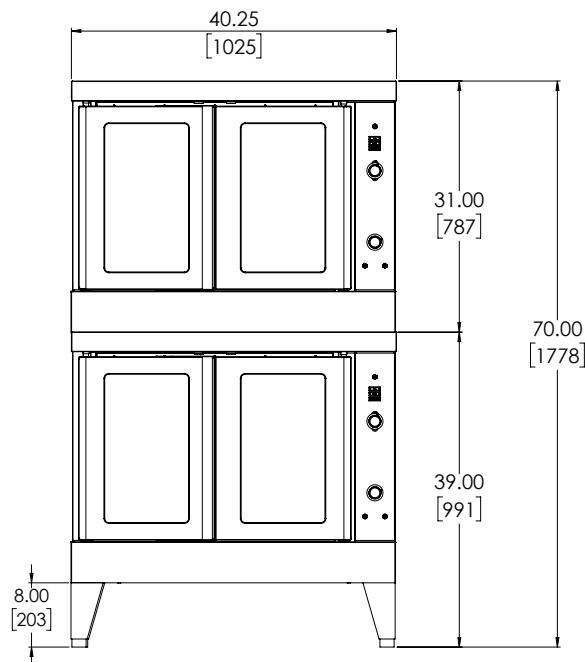
[CAD and/or Revit Files Available](#)

40¼" W x 41¾" D (includes motor & door handles)

40¼" W x 37¾" D (includes motor only)

70" H on 8" legs

Oven interior: 29" W x 26½" D x 20" H



#### Nominal Amps per Line Wire

Model	Total Conn.	3 Phase Load KW per Phase			1 Phase		208 Volt / 3 Phase			240 Volt / 3 Phase			Weight
		X-Y	Y-Z	X-Z	208V	240V	X	Y	Z	X	Y	Z	
<b>WC44E</b>	25 kW	8	8	9	120	104	70	66	70	66	58	66	778 lbs (352 KG) without skids/packaging 880 lbs (400 KG) with skids/packaging

As continued product improvement is a policy of Wolf, specifications are subject to change without notice.