



Project \_\_\_\_\_  
 AIA # \_\_\_\_\_ SIS # \_\_\_\_\_  
 Item # \_\_\_\_\_ Quantity \_\_\_\_\_ C.S.I. Section 114000

## WC4ED SERIES

Full-Size Single Deck Electric Convection Ovens



Model WC4ED



### SPECIFIER STATEMENT

Single section, electric convection oven, Wolf Model WC4ED. Stainless steel front, sides, and top. Simultaneous chain driven doors with double pane windows. Non-sag insulation applied to the top, rear, sides, bottom, and doors. Porcelain enamel on steel oven interior measures 29"W x 26½"D x 20"H. Two interior oven lights. Five nickel plated oven racks measure 28¾" x 20½". Eleven position nickel plated rack guides with positive rack stops. Heated by electric solid sheath elements rated at 12 KW. Furnished with a two speed ½ H.P. oven blower-motor. Oven cool switch for rapid cool down. 208 or 240 volt, 60 Hz, 1 or 3 phase.

#### Exterior Dimensions:

40¼" W x 41¾" D (includes motor & door handles)

40¼" W x 37¾" D (includes motor only)

31" H or 54¾" H on 23¾" legs with feet

*Legs can adjust an additional 1" in length*

Legs with casters are adjustable from 28" to 29⅞" in length

NSF listed. UL listed. UL listed to Canadian safety standards

### MODEL

- WC4ED** Solid state temperature controls adjust from 150° to 500°F. 60 minute timer with audible alarm.

### STANDARD FEATURES

- Full-size oven with stainless steel front, sides, and top
- Painted legs with bullet feet
- Simultaneous chain driven 50/50 doors with double pane windows
- Five nickel plated grab-and-go oven racks with eleven rack positions
- Oven cool switch for rapid cool down
- Porcelain enamel on steel oven interior
- 12.5 total KW
- ½ H.P. two speed oven blower-motor
- Moisture vent
- One year limited parts and labor warranty

### EXTRAS

- Second year extended limited parts and labor warranty










### ACCESSORIES

- See next page

WC4ED SERIES – Full-Size Single Deck Electric Convection Ovens

Approved by \_\_\_\_\_ Date \_\_\_\_\_ Approved by \_\_\_\_\_ Date \_\_\_\_\_

### ACCESSORIES (PACKAGED AND SOLD SEPARATELY)

- |   |   |  |
|---|---|--|
|    | <input type="checkbox"/> <b>LEGSET-FT/SS</b>    | Stainless steel legs with bullet foot  |
|    | <input type="checkbox"/> <b>LEGSET-CST/SS</b>   | Stainless steel legs with casters  |
|    | <input type="checkbox"/> <b>LEGSET-CST/PT</b>   | Painted legs with casters  |
|    | <input type="checkbox"/> <b>OPNSTND-LEGS/SS</b> | Stainless steel open stand with (4) stainless steel legs with adjustable feet, adjustable rack supports, and stainless steel shelf |
|    | <input type="checkbox"/> <b>CTSET-SINGLE</b>    | Set of four (2 locking) casters for single deck oven or leg stand  |
|   | <input type="checkbox"/> <b>RACK-1PCNEW</b>     | Extra oven rack  |
|  | <input type="checkbox"/> <b>RACK-HANGRV</b>     | Rack hanger  |
|  | <input type="checkbox"/> <b>DRAFT-DIVERT</b>    | Down draft flue diverter for direct vent connection  |
|  | <input type="checkbox"/> <b>DRIPPAN-SSDD</b>    | Stainless steel drip pan   |
| <i>Image N/A</i>  | <input type="checkbox"/> <b>ENCLSUR-SSBACK</b>  | Stainless steel rear motor enclosure   |
| <i>Image N/A</i>  | <input type="checkbox"/> <b>MARINE-TOP</b>      | Oven/steamer accessory kit. Includes stainless steel marine edge top. Requires 8" legs in lieu of standard legs                    |
| <i>Image N/A</i>  | <input type="checkbox"/> <b>HTSHLD-LH/V</b>     | Heat shield for oven side (left)   |
| <i>Image N/A</i>  | <input type="checkbox"/> <b>HTSHLD-RH/V</b>     | Heat shield for oven side (right)  |

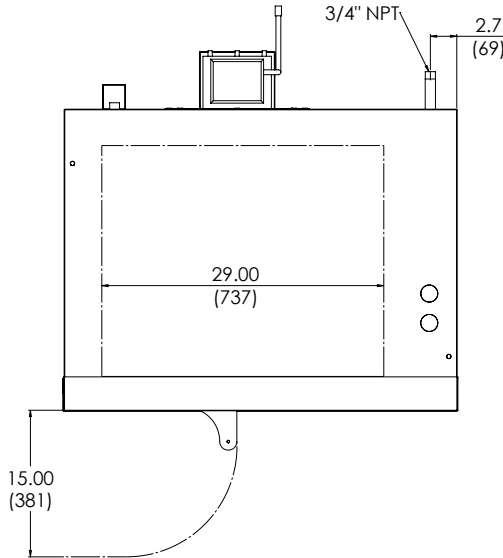
As continued product improvement is a policy of Wolf, specifications are subject to change without notice.

#### OPTIONAL VOLTAGES

- 220/380 volt, 50 Hz, 1 phase, 3 wire
- 220/380 volt, 50 Hz, 3 phase, 4 wire
- 240/415 volt, 50 Hz, 3 phase, 4 wire

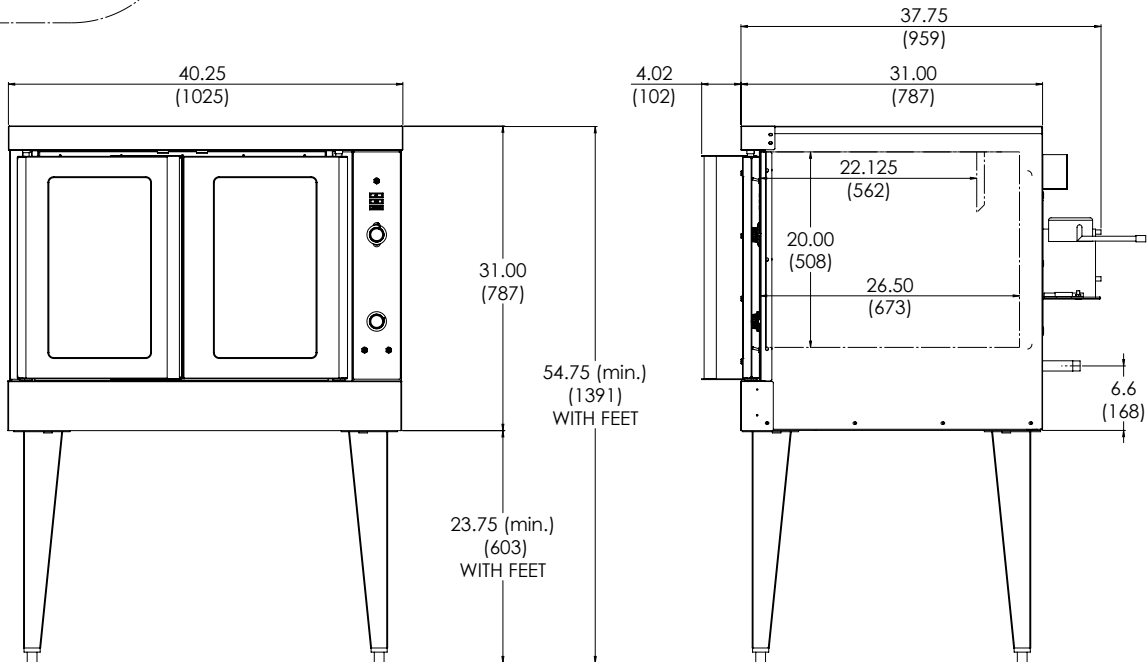
#### CLEARANCES

	Combustible	Non-Combustible
Rear	2"	2"
Right Side	4"	4"
Left Side	1"	1"



40¼" W x 41¾" D x 31" H (includes motor & door handles)  
 40¼" W x 37¾" D x 31" H (includes motor only)  
 54¾" H on 23¾" legs\* with feet.  
 \*Legs can adjust an additional 1" in length.

Oven interior: 29" W x 26½" D x 20" H



#### Nominal Amps per Line Wire

Model	Total Conn.	3 Phase Load KW per Phase			1 Phase		208 Volt / 3 Phase			240 Volt / 3 Phase			Weight
		X-Y	Y-Z	X-Z	208V	240V	X	Y	Z	X	Y	Z	
WC4ED	12.5 kW	4	4	4.5	60	52	35	33	35	33	29	33	389 lbs (176 KG) without skids/packaging 440 lbs (200 KG) with skids/packaging

As continued product improvement is a policy of Wolf, specifications are subject to change without notice.