



36" WX SERIES VALUE RANGE

6 Open Burners



Model WX36-6BN



SPECIFICATIONS

36" wide WX series light-duty range, Wolf Model No. WX36-6BN. Stainless steel front, sides, backriser, high shelf and bullnose. High temperature burner T knobs with set screw. Porcelain door liner and oven bottom. Six 28,000 BTU/hr. cast top burners with lift-off burner heads. 12" x 12" cast top grates with aeration bowls. Heavy duty top grates and burner heads. Compression spring door hinge system for durability. 30,000 BTU/hr. Standard oven measures 26¾"W x 26"D x 13¾"H. Thermostat adjusts from 250° to 500°F. One oven rack with four rack positions. ¾" rear gas connection and gas pressure regulator. Total input: 198,000 BTU/hr.

Exterior Dimensions:

36"W x 33¼"D x 60¾"H on 6" adjustable legs.

Project _____

AIA # _____ SIS # _____

Item # _____ Quantity _____ C.S.I. Section 114000

MODELS

WX36-6BN 1 Standard Oven / Natural Gas

WX36-6BP 1 Standard Oven / Propane

STANDARD FEATURES

- Stainless steel front, sides, backriser, lift-off high shelf.
- 6" Stainless steel adjustable legs.
- 28,000 BTU/hr open top burners with lift-off heads.
- 12" x 12" cast top grates with aeration bowls.
- 30,000 BTU/hr standard oven cavity measures 26¾"w x 26"d x 13¾"h.
- Oven thermostat adjusts from 250° to 500°F.
- One oven rack and four rack positions.
- ¾" rear gas connection and gas pressure regulator.
- One year limited parts and labor warranty.

ACCESSORIES (PACKAGED & SOLD SEPARATELY)

- Extra oven rack.
- Reinforced backriser and high shelf for mounting salamander broiler.
- Set of four casters (two locking).

36" WX SERIES VALUE RANGE - 6 OPEN BURNERS

Approved by _____ Date _____ Approved by _____ Date _____

INSTALLATION INSTRUCTIONS

1. A pressure regulator sized for this unit is included. Natural gas 5.0" W.C., propane gas 10.0" W.C.
2. Gas line connecting to range must be 3/4" or larger. If flexible connectors are used, the inside diameter must be 3/4" or larger.
3. An adequate ventilation system is required for commercial cooking equipment. Information may be obtained by writing to the National Fire Protection Association, 1 Batterymarch Park, Quincy, MA 02269, www.NFPA.org. When writing, refer to NFPA No. 96.
4. These units are manufactured for installation in accordance with ANSZ223.1A (latest edition), National Fuel Gas Code. Copies may be obtained from The American Gas Association, 400 N Capitol St. NW, Washington, DC 20001, www.AGA.org.

5. Clearances

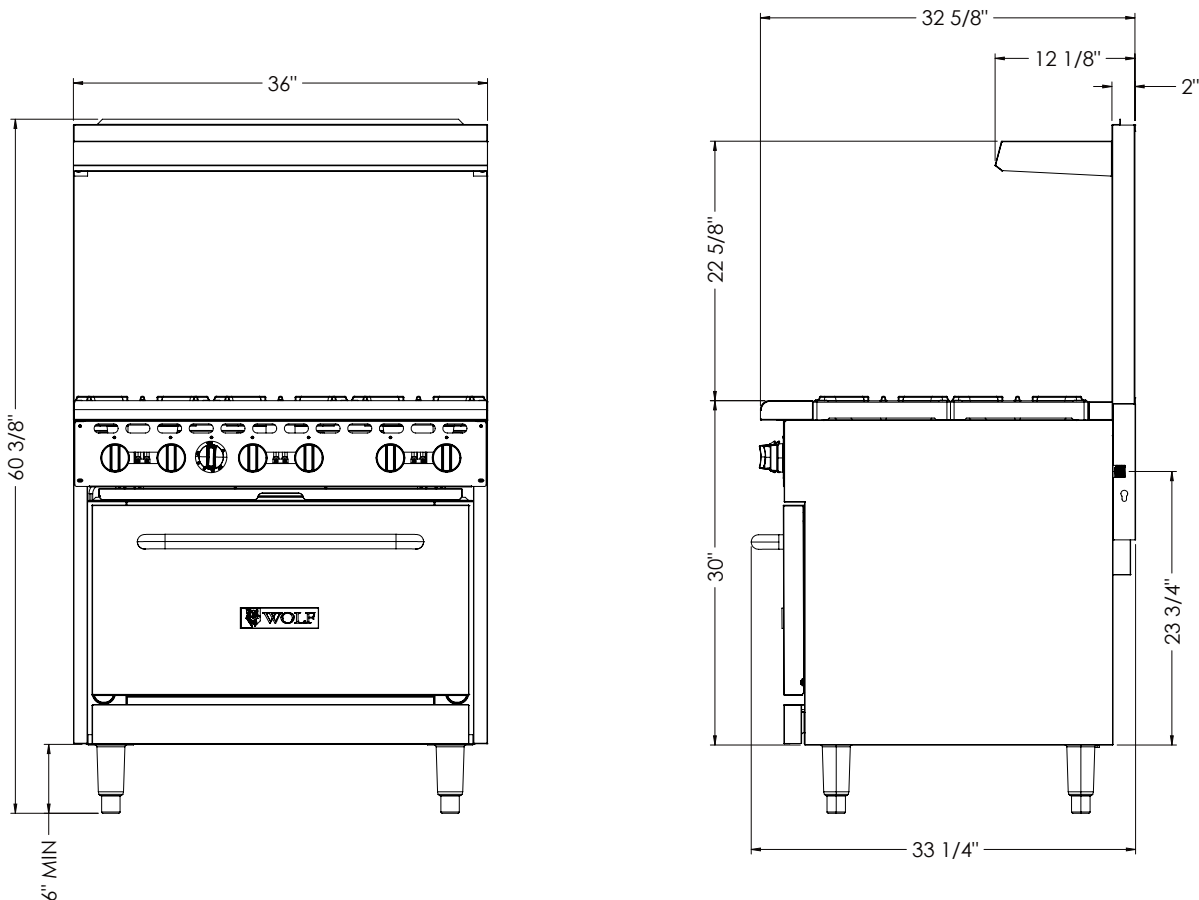
	Rear	Sides
Combustible	12"	10"
Non-Combustible	6"	0"

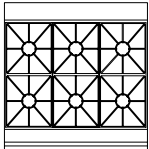
6. For proper combustion, install equipment on adjustable legs or casters provided with unit.

NOTE: In line with its policy to continually improve its product, Wolf reserves the right to change materials and specifications without notice.

Specify type of gas when ordering.

Specify altitude when above 2,000 feet.



Top Configuration	Model Number	Description	Total Input BTU / Hr	Shipping Weight LBS / KG
	WX36-6BN	6 Burners / 1 Standard Oven / Natural Gas	198,000	456 / 207
	WX36-6BP	6 Burners / 1 Standard Oven / Propane	198,000	456 / 207

This appliance is manufactured for commercial use only and is not intended for home use.

As continued product improvement is a policy of Wolf, specifications are subject to change without notice.