



INVENTIVE SIMPLIFICATION

Project \_\_\_\_\_

Item \_\_\_\_\_

Quantity \_\_\_\_\_

Date \_\_\_\_\_

# XAVPC-12FS-C

XAVPC-12FS-C

## MODEL

### CHEFTOP MIND.Maps™ PLUS

- PLOOFER
- 12 Trays 18 x 26
- Electric
- Max. temperature: 122 °F
- Humidity range: 0 – 100%



## DESCRIPTION

Proving is a balancing act between dough, temperature, humidity temperature and time, and is one of the crucial moments that determines the quality of the final product.

The CHEFTOP MIND.Maps™ PLUS proofers are equipped with precise sensors that accurately and continuously control the temperature and humidity at each point of the proving process and intervene to always guarantee excellent and repeatable results.

The CHEFTOP MIND.Maps™ PLUS proofers are available in the 12 pan versions for column installations.

## WATER CONNECTION

### SUPPLY

USING A WATER SUPPLY NOT MEETING UNOX'S MINIMUM WATER QUALITY STANDARDS WILL VOID ANY WARRANTY.

It is the responsibility of the purchaser to ensure that the incoming water supply is compliant with the specifications listed through adequate treatment measures.

Line pressure:	Drinking water inlet: 3/4" NPT*, line pressure: 21 to 87 psi; 1.5 to 6 Bar
Connection	cold water

### INFLOW WATER SPECIFICATIONS

Free chlorine	≤ 0.1 ppm
Chloramine	0.1 ppm
TDS	≤ 125 ppm
Silica	≤ 12 ppm
pH	7 ± 8.5

### STEAM CIRCUIT: INFLOW WATER SPECIFICATIONS

Total hardness (TH)	≤ 8 °d
Chlorides	≤ 25 ppm
Alkalinity	≤ 150 ppm as CaCO3

## COMPATIBLE OVENS

LEFT	RIGHT
XAVC-06FS-EPL	XAVC-06FS-EPR
XAVC-06FS-HPL	XAVC-06FS-HPR
XAVC-06FS-GPL	XAVC-06FS-GPR
XAVC-10FS-EPL	XAVC-10FS-EPR
XAVC-10FS-HPL	XAVC-10FS-HPR
XAVC-10FS-GPL	XAVC-10FS-GPR

## POWER SUPPLY

### STANDARD

Voltage	208-240 V
Phase	1PH+PE
Cycle	60 Hz
Total power	2.6 kW
Maximum Amp Draw	10.8 A
Required breaker size *	15 A
Power cable requirement	SJTO 3 x AWG14
Cord diameter	0.39"
Plug	NEMA 6-15P

\* Recommended size - observe local ordinances

## INSTALLATION REQUIREMENTS

Installations must conform to all local electrical systems, specifically Minimum wire gauge required for field connection, hydraulic and ventilation codes.

Register to access data and product specifications  
[infonet.unox.com](http://infonet.unox.com)



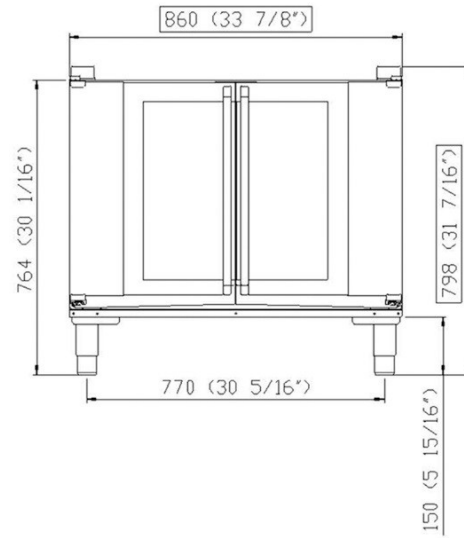
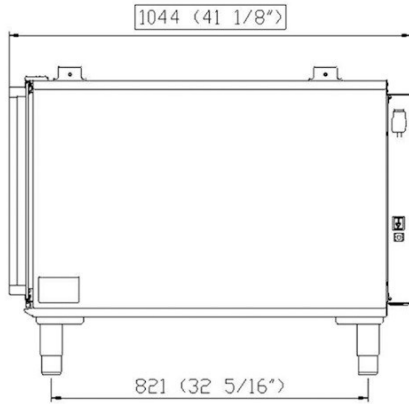


INVENTIVE SIMPLIFICATION

# XAVPC-12FS-C

Views  
Dimensions and Weights

XAVPC-12FS-C



### DIMENSIONS AND WEIGHT

Width	33" 55/64 (860 mm)
Depth	41" 7/64 (1044 mm)
Height	31" 27/64 (798 mm)
Net Weight	81.57 lbs (37 Kg)
Pan Spacing	3" (75 mm)

### CONNECTION POSITIONS

2	Terminal board power supply
3	Unipotential terminal
6	Technical data plate
8	Thread water inlet
14	Oven connection cable

