



Project \_\_\_\_\_

Item No. \_\_\_\_\_

Quantity \_\_\_\_\_

## 18" PIZZA DELIVERY SYSTEM



### FEATURES

- Designed for a pizzas up to 18-inches (457.2 mm)
- Induction-charged thermal disc keeps up to three pizzas at a consistent, hot temperature for up to 30 minutes
- Fast heat-up – initial charge takes less than three minutes; recharges in as little as 60 seconds
- Cool to the touch charger surface
- Designed to withstand exposure to grease, oil, flour, and other food substances
- Lighted display for easy operation
- Cordless delivery bag with VaporVent™ lid to eliminate condensation
- Lightweight – delivery bag and FlashPak™ disc have combined weight of 3.9 lb.
- FlashPak™ disc and Pellet Centering Tray can be removed for bag cleaning and replacement
- Self-diagnostic features alert user in the event of an error
- Includes plug and cord (6 ft. nominal)
- Two-year advanced replacement warranty – U.S. and Canada (charger only)

### PERFORMANCE

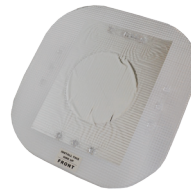
The CookTek® Pizza Delivery System is comprised of a lightweight thermal FlashPak™ disc, pellet centering tray (PCT), system-specific VaporVent™ delivery bag, and an induction charger base. The FlashPak™ disc and PCT tray reside in the VaporVent™ bag. When the bag is placed on the charger, the disc automatically heats up. After it is heated to the desired temperature, the thermal disc automatically stops heating. Once removed from the charger, the FlashPak™ disc retains it's temperature for up to 30 minutes.

### ACCESSORIES

- 1 18" VaporVent™ Bag with Pellet Centering Tray (Part # 300849A) – included with purchase
- 1 18" Pellet Centering Tray (Part # 300813) – included with purchase
- FlashPak™ Disc (Part # 400017)



400017



300811



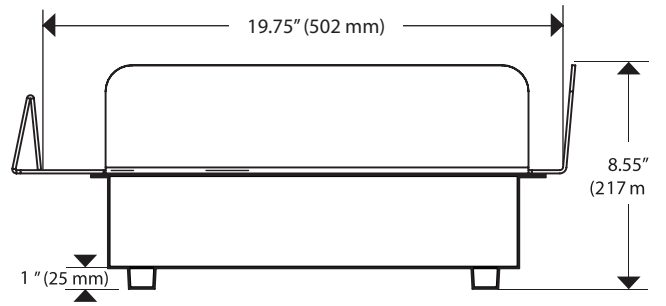
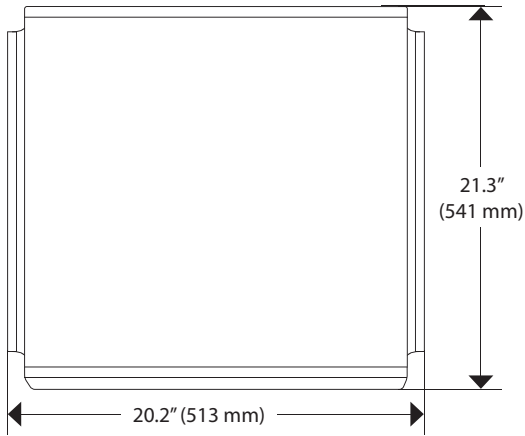
300878A

### CERTIFICATIONS



\*The Pizza Delivery System charger is specifically designed for use with CookTek-approved delivery bags.

It is the owner and installer's responsibility to comply with all local codes. CookTek reserves the right to make substitutions of components or change specifications without prior notice.



| DIMENSIONS (CHARGER)     |   |         |
|--------------------------|---|---------|
| Unit Height              | 8.55"   | 217 mm  |
| Unit Width               | 20.2"   | 513 mm  |
| Unit Depth               | 21.3"   | 541 mm  |
| Feet Height              | 1"  | 25 mm   |
| Weight                   | 20 lb.  | 9.1 kg  |
| Max Ambient Temperature  | 122°F   | 50°C    |
| CLEARANCE                |   |         |
| Front                    | 2"  | 51 mm   |
| Sides                    | 2"  | 51 mm   |
| Below (Countertop)       | The space underneath and between the legs should be kept free from obstruction. |         |
| Below (Recessed/Drop-in) | 6"  | 152 mm  |
| SHIPPING INFORMATION     |   |         |
| Packaged Height          | 13"   | 330 mm  |
| Packaged Width           | 23"   | 584 mm  |
| Packaged Depth           | 24"   | 609 mm  |
| Packaged Weight          | 24 lb.  | 10.8 kg |
| Item Class               | 250 NMFC #26710   |         |

| ELECTRICAL SPECIFICATIONS (SINGLE PHASE) |        |                                       |                                |
|--|--------|---------------------------------------|--------------------------------|
| MODEL XLPTDS1800/120 (XLPTDS100)         |        |                                       |                                |
| UNITED STATES/<br>CANADA                 | 602101 | 100-120 V, 50/60 Hz, 15 A, 100-1800 W | NEMA 5-15P                     |
| MODEL XLPTDS1800/240 (XLPTDS200)         |        |                                       |                                |
| UNITED STATES/<br>CANADA                 | 606401 | 200-240 V, 50/60 Hz, 8 A, 100-1800 W  | NEMA 6-20P                     |
| UK/ SAUDI<br>ARABIA                      | 606402 | 200-240 V, 50/60 Hz, 8 A, 100-1800 W  | BS1363, 13A, 230V              |
| INTERNATIONAL                            | 606403 | 200-240 V, 50/60 Hz, 8 A, 100-1800 W  | CEE 7/7 Schuko,<br>16A, 250V   |
| AUSTRALIA                                | 606404 | 200-240 V, 50/60 Hz, 8 A, 100-1800 W  | AS/NZS 3112:2000,<br>10A, 250V |
| JAPAN                                    | 606406 | 200-240 V, 50/60 Hz, 8 A, 100-1800 W  | N/A                            |
| SOUTH AFRICA                             | 606407 | 200-240 V, 50/60 Hz, 8 A, 100-1800 W  | BS 546, 16A, 250V              |
| ISRAEL                                   | 606408 | 200-240 V, 50/60 Hz, 8 A, 100-1800 W  | SI 32, 16A, 250V               |

Dedicated circuit required for each installation.

|  |                   |  |                                |
|--|-------------------|--|--------------------------------|
|  | NEMA 5-15P        |  | AS/NZS 3112:2000,<br>10A, 250V |
|  | NEMA 6-20P        |  | BS 546, 16A, 250V              |
|  | BS1363, 13A, 230V |  | CEE 7/7 Schuko,<br>16A, 250V   |
|  | SI 32, 16A, 250V  |  |                                |

**Global Operations**  
 2801 Trade Center Drive / Carrollton, Texas 75007 USA  
 US: 800.90TURBO (800.908.8726) / International: +1 214.379.6000  
 Fax: +1 214.379.6073 / www.cooktek.com