

# Machine Stands

HST Stands for Meridian Series Ice & Water Dispensers  
IOBDMS Stands for ID Series Ice Only Dispensers

## Features

### HST16-A & HST21-A

- Stainless steel construction for optimum durability.
- Space saving design.
- Includes reversible locking door for maximum functionality.
- Inside cabinet features ample storage space with a steel shelf.
- Includes 6" adjustable legs.
- Designed to fit perfectly with Meridian dispensers.
- Back panel designed for easy dispenser utility.



**HST16-A**



**HST16B-A**



**HST21-A**



**HST21B-A**



**IOBDMS22 & IOBDMS30**

### HST16B-A & HST21B-A

- Stainless steel construction for optimum durability.
- Space saving design.
- Includes 6" adjustable legs.
- Designed to fit perfectly with Meridian dispensers.
- Back panel designed for easy dispenser utility.

### IOBDMS22 & IOBDMS30

- Stainless steel construction for optimum durability.
- Designed to have utility connections hidden from view.

## Dimensions (W x D x H)

| Model #  | Compatible Dispenser | W x D x H*                                   |
|----------|----------------------|--|
| HST16-A  | HID312               | 16.5" x 23.75" x 32" (41.9 x 60.3 x 81.3 cm) |
| HST16B-A | HID312               | 16.5" x 23.75" x 32" (41.9 x 60.3 x 81.3 cm) |
| HST21-A  | HID525 & HID540      | 21.5" x 23.75" x 32" (54.6 x 60.3 x 81.3 cm) |
| HST21B-A | HID525 & HID540      | 21.5" x 23.75" x 32" (54.6 x 60.3 x 81.3 cm) |
| IOBDMS22 | ID150                | 22" x 30" x 30" (55.8 x 76.2 x 76.2 cm)      |
| IOBDMS30 | ID200 & ID250        | 30" x 30" x 30" (76.2 x 76.2 x 76.2 cm)      |

\* Add 6" Height for legs.



## Certification



## Shipping Information

| Model #  | Carton (W x D x H)  | Weight (lb/kg) |
|----------|---------------------|----------------|
| HST16-A  | 17.5" x 25" x 32.5" | 50/23          |
| HST16B-A | 17.5" x 25" x 32.5" | 50/23          |
| HST21-A  | 23" x 25" x 32.5"   | 80/36          |
| HST21B-A | 23" x 25" x 32.5"   | 80/36          |
| IOBDMS22 | 26" x 32" x 27"     | 93/42          |
| IOBDMS30 | 34" x 33" x 28"     | 120/54         |



## Warranty

- 1 years parts and labor on all components.

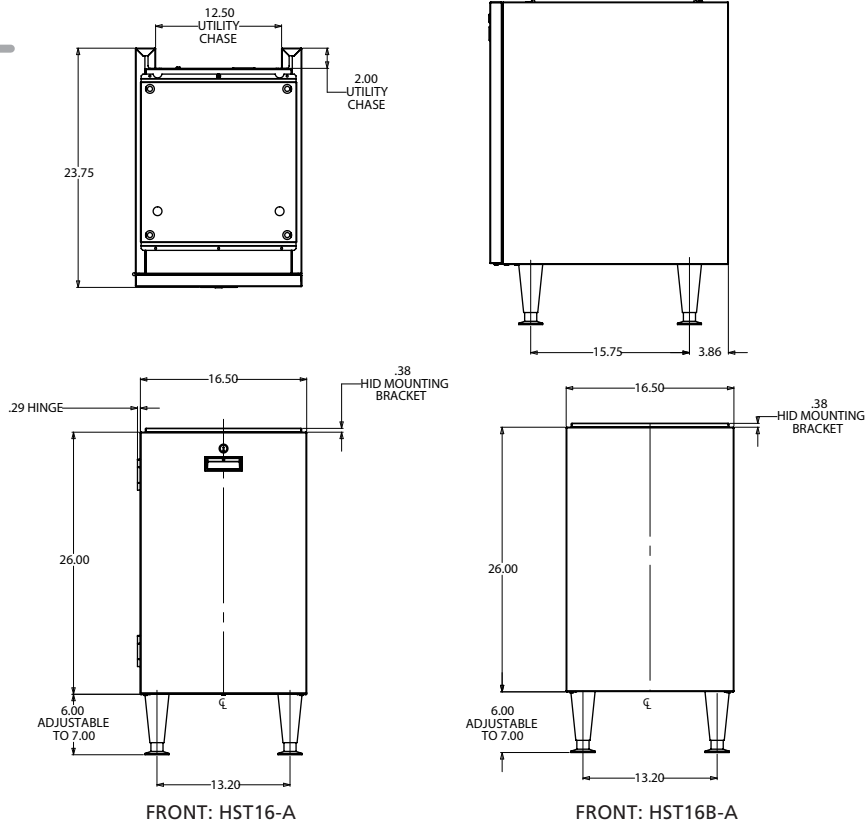
Warranty valid in North, South & Central America.  
Contact factory for warranty in other regions.

Machine Stands  
HST Stands for Meridian Series & IOBDMS  
Stands for ID Series

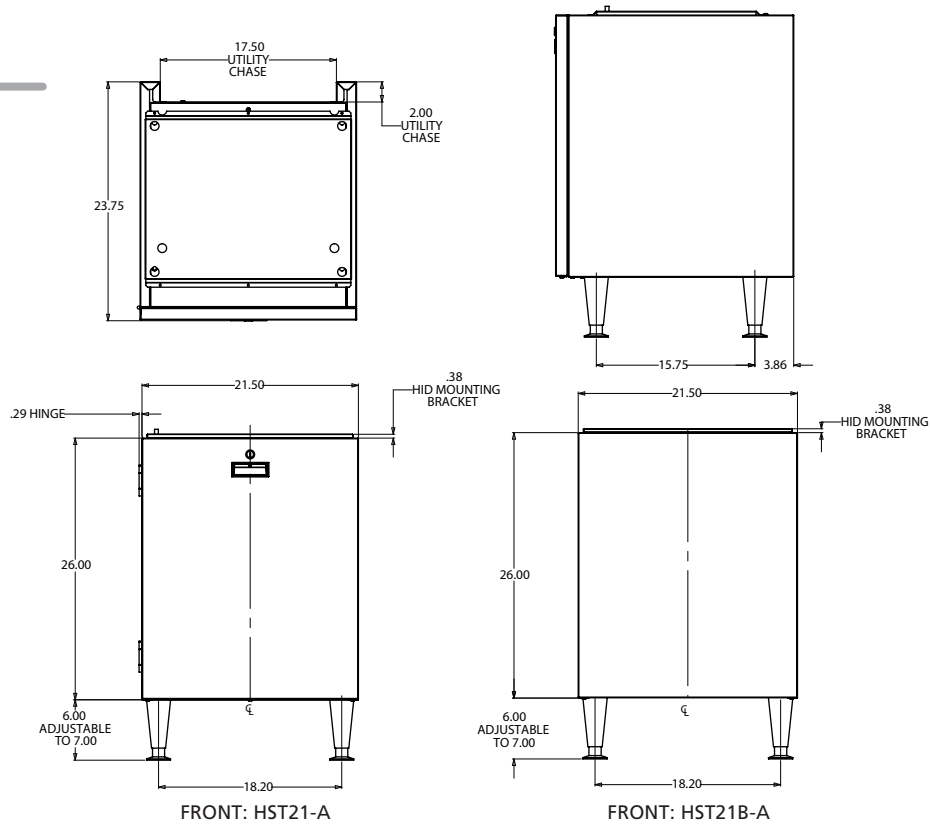
# Machine Stands

HST Stands for Meridian Series Ice & Water Dispensers  
IOBDMS Stands for ID Series Ice Only Dispensers

## HST16



## HST21



## Machine Stands

HST Stands for Meridian Series & IOBDMS  
Stands for ID Series

• 775 Corporate Woods Parkway, Vernon Hills, IL 60061 •

• 1-800-SCOTSMAN • Fax: 847-913-9844 • [www.scotsman-ice.com](http://www.scotsman-ice.com) • [customer.relations@scotsman-ice.com](mailto:customer.relations@scotsman-ice.com) •

© 2015 Scotsman Ice Systems.

A City Discount

**Scotsman**  
ICE THE WORLD DEMANDS

SIS-SS-MS-HSTIOB 04-15