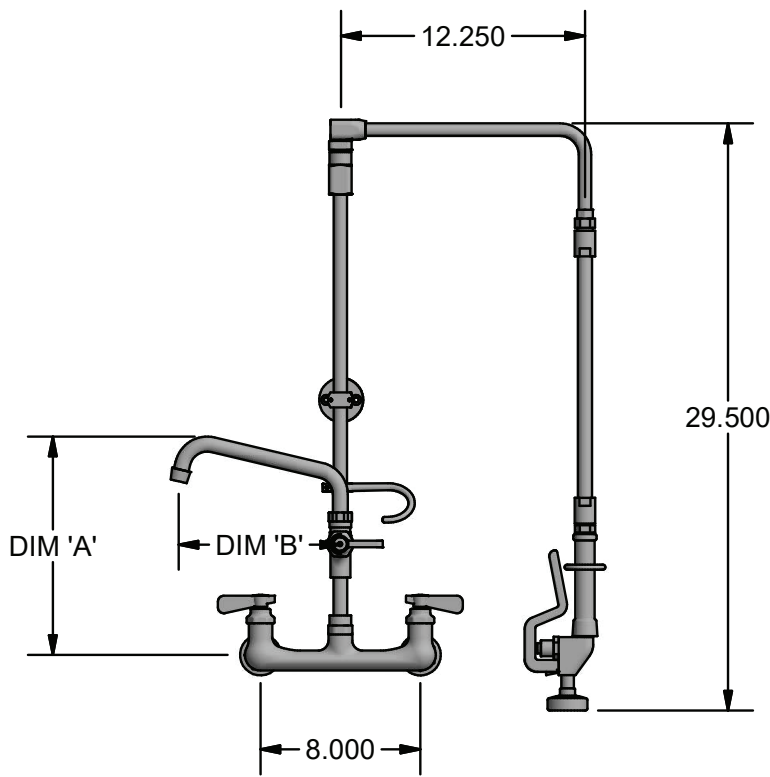
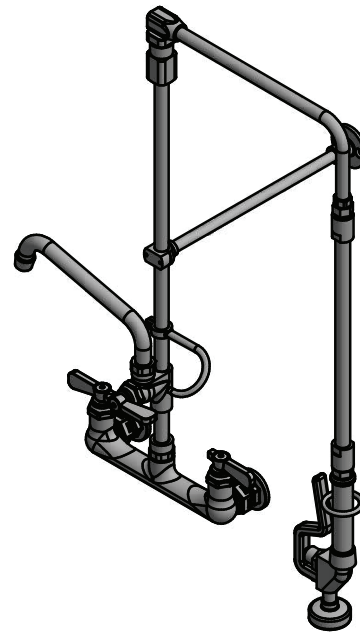




Use your smart phone to scan the above QR code to visit our website: www.bk-resources.com

# 8" Splash Mount Swing Arm Pre-Rinse

Model: BKF-SMSAPR-WB-AFXX-G, Lead Free



PRODUCT SPECIFICATION SHEET

### Product Specifications:

- 27.5" High Riser with 13" Solid Swing Arm
- Triple-Ply Hose Rated to 300 PSI
- 12" Wall Bracket
- 1/4 Turn Ceramic Cartridges
- Color Coded Hot & Cold Indicators
- 1/2" Female Inlets
- 3 Year Faucet Warranty
- 1 Year Hose Warranty

### Product Detail:

Model Number	DIM. A	DIM. B
BKF-SMSAPR-WB-AF8-G	10.916"	8.000"
BKF-SMSAPR-WB-AF10-G	11.386"	10.000"
BKF-SMSAPR-WB-AF12-G	11.856"	12.000"
BKF-SMSAPR-WB-AF14-G	12.326"	14.000"

### Certifications:



Certified to NSF/ANSI 61 Section 9-G

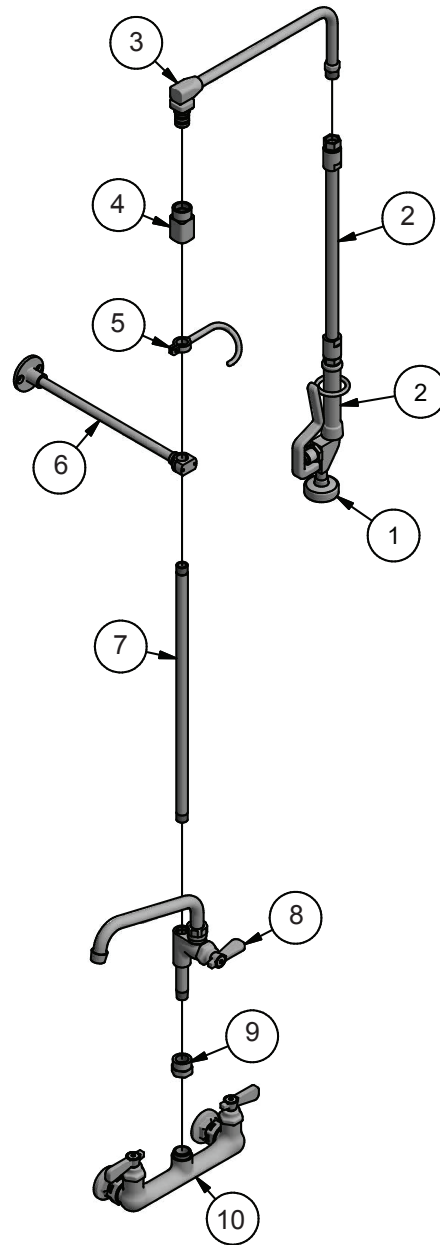
RESOURCES





# 8" Splash Mount Swing Arm Pre-Rinse

Model: BKF-SMSAPR-WB-AFXX-G, Lead Free



### Exploded Parts Detail:

Diagram #	Quantity	Part Number	Description
1	1	BK-PRV-1-G	1.0 GPM Spray Head
2	1	BKH-15-G	Pre-Rinse Spray Handle & Hose
3	1	BK-SAPR-SA	Swing Arm
4	1	BK-SAPR-SPR	Swing Arm Pre-Rinse Retainer
5	1	BK-PR-SHR	Spray Valve Retainer
6	1	BK-PR-WB	Wall Bracket
7	1	BK-PR-24RP-G	24" Riser Pipe
8	1	BKF-AF-XX-G	Add-A-Faucet w/ Swing Spout
9	1	BK-PR-ADP	Pre-Rinse Adapter
10	1	BKF-XX-G	Faucet Body

PRODUCT SPECIFICATION SHEET

RESOURCES

